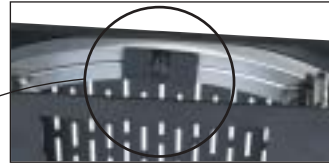


# ROTR

## ROTR roto rack system

Raxxess pioneered the concept of rotating racks and continues to lead the industry with cutting-edge rotating rack designs to suit practically any application. Perfect for installing in existing cabinetry or new millwork, the Raxxess Rotary Rack System comes in sizes from eight to twenty four rack spaces. Available in a two (ROTR-2) or four (ROTR-4) slide formats capable of supporting 150 and 300 pounds respectively. The rack extends a full twenty inches from its frame and is then capable of rotating 90 degrees in either direction, allowing unobstructed access to components regardless of their depth. The system locks in the closed position with security panel and screws provided. Easy and effective cable management system and eight-space rear rack rail are included.

Ask about the ROTR-XL version. The ROTR-XL version has an extended base designed to increase clearance when mounted behind cabinet doors.

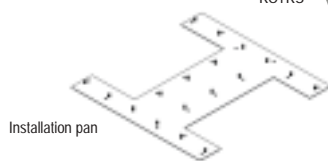


Posi-lock

### optional



ROTRS



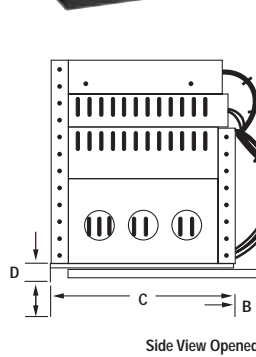
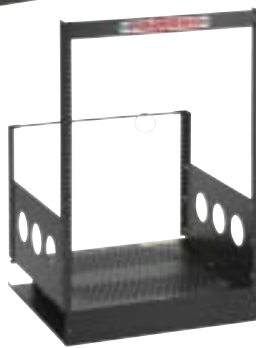
Installation pan

### features @ a glance

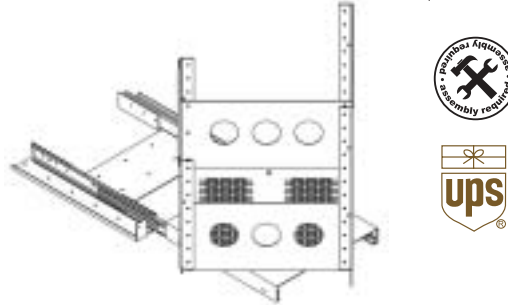
- Posi-lock - three position positive lock that prevents the Rotr Racks from rotating when extended for service or when retracted for normal use.
- Installation pan (optional) provides an easy means to lay out cabinetry dimensions prior to installation. Allows rack to be populated and tested prior to being installed.
- Supports up to 300 pounds.
- Available in 8 thru 24 space versions.
- 12 gauge cold, rolled steel frame.

### finish

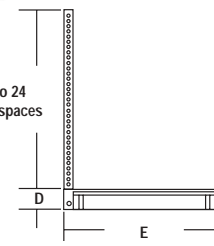
black powder coat



Side View Opened



8 to 24 rack spaces



Front View



## POTR pull out rack

The POTR Pull-Out Rack is ideal for installations in which rotation is not required or when vertical height is at a premium. The cost-effective POTR rack is constructed of 16-gauge, powder coated steel with 11-gauge tapped rack rail (8U to 24U). The included cable management system consists of 8 space rear rail and parallel tie-bars.

Model	Dim A	Dim B	Dim C	Dim D	Weight Capacity	Width E
ROTR	19"	.75"	18	3.5"	300	19.25"
POTR	19"	.75"	18	2.5"	300	19.25"
ROTR-XL	23"	4.75"	18	3.5"	300	19.25"



# POTR