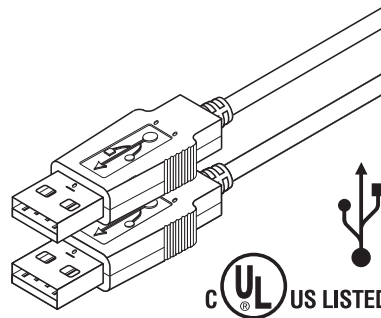




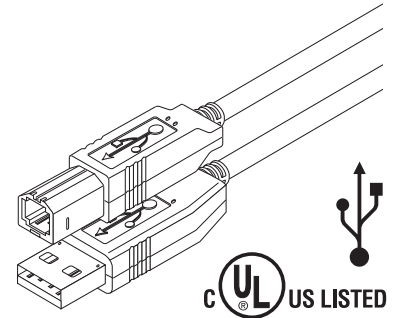
### USB v1.1 Serial Data Cables

USB v1.1 Compliant Data Cables  
Supports 1.5 or 12Mbps transfer – Hot-Swappable  
Suitable for Connections to Modems, Printers,  
Keyboard, Mice, Digital Cameras, External Drives  
Flexible Ash-Grey PVC Jacket – Molded Construction  
USB Type A Male to Type A or B Male Connectors  
1pr AWG28 Stranded Shielded Twisted Pair Data and  
2xAWG24 Stranded Power-Line Conductors  
65% Tinned-Copper Braid Shield plus  
100% Polyester-Aluminum Foil Shield  
1µ" Gold-Flash Plated Contacts  
Nickel-Plated Shell – UL Listed

- 506-303** 3' A to A USB Cable
- 506-306** 6' A to A USB Cable
- 506-310** 10' A to A USB Cable
- 506-315** 15' A to A USB Cable
- 506-403** 3' A to B USB Cable
- 506-406** 6' A to B USB Cable
- 506-410** 10' A to B USB Cable
- 506-415** 15' A to B USB Cable



- 506-303** 3' A-A v1.1 Nickel
- 506-306** 6' A-A v1.1 Nickel
- 506-310** 10' A-A v1.1 Nickel
- 506-315** 15' A-A v1.1 Nickel



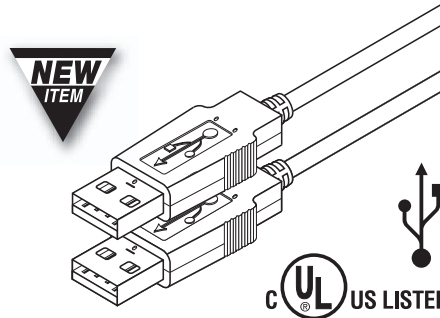
- 506-403** 3' A-B v1.1 Nickel
- 506-406** 6' A-B v1.1 Nickel
- 506-410** 10' A-B v1.1 Nickel
- 506-415** 15' A-B v1.1 Nickel

### USB v2.0 Serial Data Cables

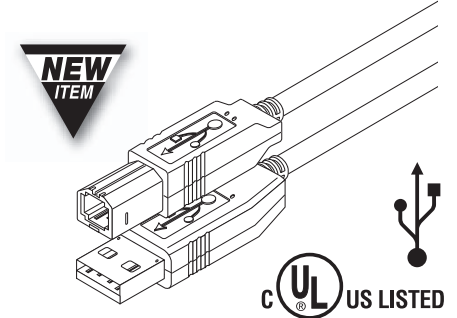
Premium High-Speed USB v2.0 Certified Cables  
Supports 1.5/12/480 Mbps transfer – Hot-Swappable  
Suitable for Connections to Modems, Printers,  
Keyboard, Mice, Digital Cameras, Web Cameras,  
External Drives, Scanners and PDA Docking Stations  
Backward-Compatible with USBv1.1 Devices  
High-quality cable minimizes USB data errors  
Reduces crosstalk and EMI/RFI  
Flexible Ash-Grey PVC Jacket – Molded Construction  
USB Type A Male to Type A or B Male Connectors  
1pr AWG28 Stranded Shielded Twisted Pair Data and  
2xAWG24 Stranded Power-Line Conductors  
85% Tinned-Copper Braid Shield plus  
100% Polyester-Aluminum Foil Shield  
1µ" Gold-Plated Contacts  
24K Gold-Plated Shell – UL Listed

- 506-353** 3' A-A USB v2.0 Cable
- 506-356** 6' A-A USB v2.0 Cable
- 506-360** 10' A-A USB v2.0 Cable
- 506-365** 15' A-A USB v2.0 Cable
- 506-453** 3' A-B USB v2.0 Cable
- 506-456** 6' A-B USB v2.0 Cable
- 506-460** 10' A-B USB v2.0 Cable
- 506-465** 15' A-B USB v2.0 Cable

- ◀ **NEW**
- ◀ **NEW**
- ◀ **NEW**
- ◀ **NEW**
- ◀ **NEW**
- ◀ **NEW**
- ◀ **NEW**
- ◀ **NEW**



- 506-353** 3' A-A v2.0 Gold
- 506-356** 6' A-A v2.0 Gold
- 506-360** 10' A-A v2.0 Gold
- 506-365** 15' A-A v2.0 Gold

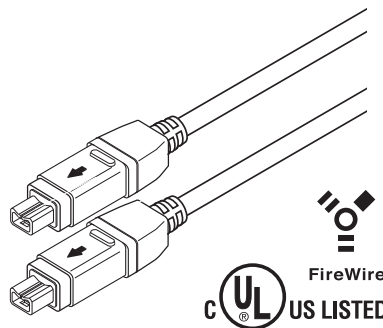


- 506-453** 3' A-B v2.0 Gold
- 506-456** 6' A-B v2.0 Gold
- 506-460** 10' A-B v2.0 Gold
- 506-465** 15' A-B v2.0 Gold

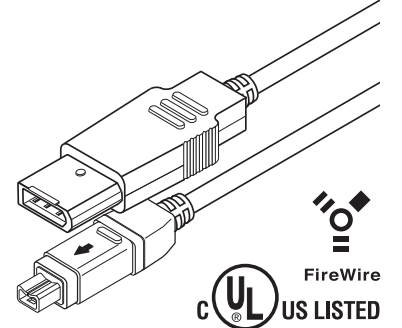
### IEEE1394 Digital Cables

Premium-Grade IEEE1394 FireWire® Cables  
Supports 393Mbps data transfer – Hot Swappable  
Suitable for Connections to High-Speed Modems,  
Digital Cameras, Digital Camcorders,  
Web Cameras and Scanners  
High-quality cable minimizes data errors  
Reduces crosstalk and EMI/RFI  
2pr AWG28 Stranded Shielded Twisted-Pair Data  
2xAWG22 Stranded Power Conductors (6-pin only)  
95% Tinned-Copper Braid Shield plus  
100% Polyester-Aluminum Foil Shield  
1µ" Gold-Plated Contacts  
Nickel-Plated Shell – UL Listed

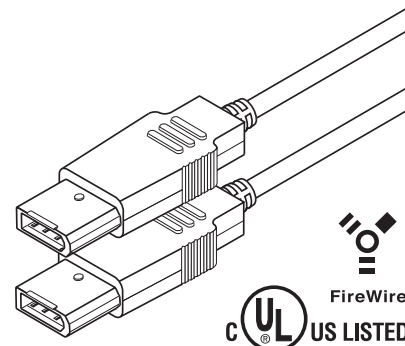
- 506-606** 6' 4-4-Pin IEEE1394 Digital Cable
- 506-706** 6' 4-6-Pin IEEE1394 Digital Cable
- 506-806** 6' 6-6-Pin IEEE1394 Digital Cable



**506-606** 4-4-Pin Nickel



**506-706** 4-6-Pin Nickel



**506-806** 6-6-Pin Nickel