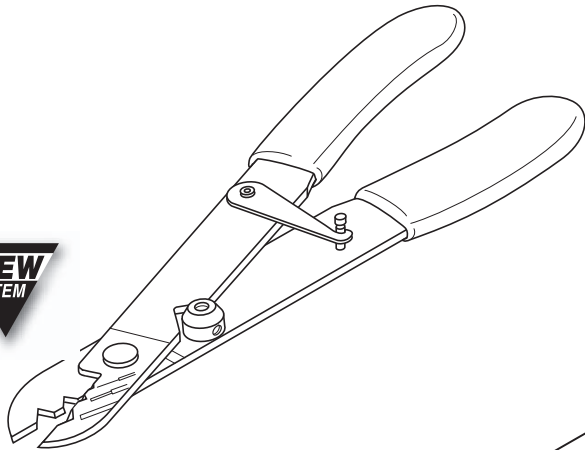
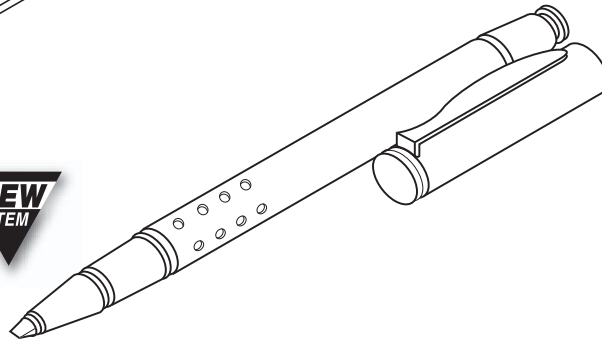


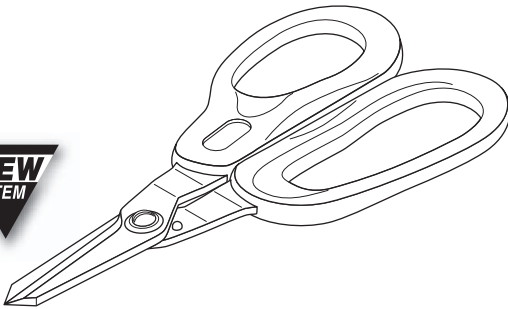
Fiber Preparation Tools



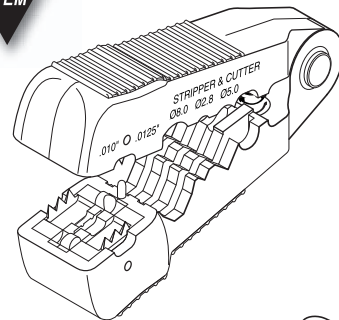
514-010



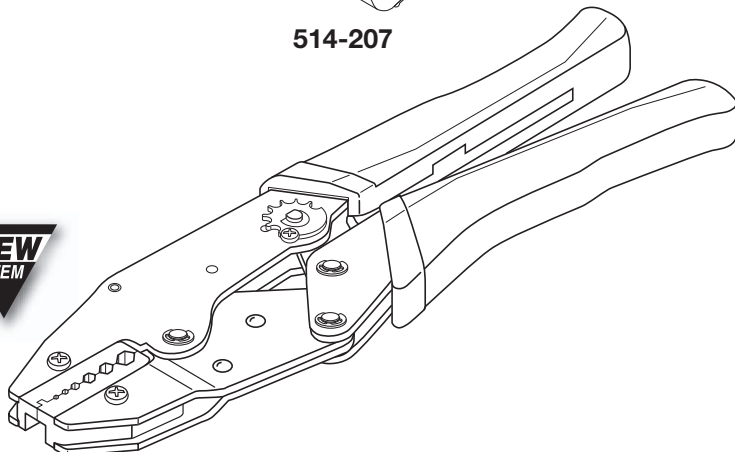
514-013



514-050



514-207



514-055

NEW ▶ 514-010 Precision Fiber Optic Cable Stripper Suitable for 0.010" (250µm) Fiber Adjustable for Precise Removal of Outer Jacket and Fiber Buffer Precision Ground Steel Blades Easy-Grip Plastic Coated Handles

NEW ▶ 514-013 Fiber Optic Cable Cutter Wedge-Shaped Diamond Tip for Precise Scribing and Snapping of Fiber Steel Chromate Pen with Pocket Clip 3/8" (Dia.) x 5³/₁₆" (H)

NEW ▶ 514-050 Fiber scissors effortlessly cuts Aramid strength fibers and Kevlar in fiber optic cable Precision ground grooved cutting edges prevent slippage Large Ergonomic Plastic Handles 3³/₈" (W) x 5⁷/₈" (H) x 3¹/₁₆" (D)

NEW ▶ 514-207 Fiber Optic Stripper-Cutter Precisely cuts and strips all 0.010" (250µm) and 0.0125" (315µm) glass fiber buffer Easily strips 2.8mm, 5.0mm and 8.0mm outer diameter jacket Pre-Set Opposing-Blade for Clean Operation Without Adjustment Non-slip ridged handle facilitates precise operation 1³/₈" (W) x 3⁵/₈" (H) x 3¹/₄" (D)

Fiber Connector Crimp Tool

NEW ▶ 514-055 Fiber Optic Ratchet Crimper for Fiber Optic Connectors Full Cycle Ratchet Mechanism Ensures a solid repeatable crimp Precision Machined Hex Die 0.042" (1.07mm), 0.068" (1.72mm), 0.078" (1.98mm), 0.128" (3.25mm), 0.151" (3.84mm), 0.178" (4.52mm) Adjustable Return Spring Tension 2⁵/₈" (W) x 8¹/₂" (H) x 7⁷/₈" (D)