

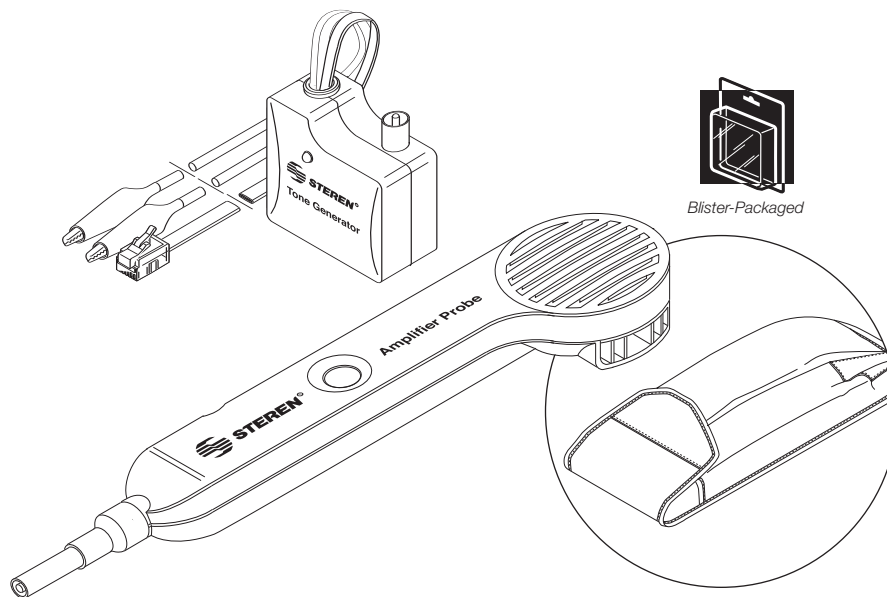
602-805

## Inductive Voltage Detector

**NEW ▶ 602-805** Non-Contact Inductive Voltage Detector  
Senses 100 - 240VAC Within 2" Range  
Emits Audible Tone and Flashing Light  
2 AAA Batteries Included  
3/4"(W) x 5 3/4"(H) x 1"(D)

## Cable Locator

**602-810** Cable Locator Tone-Test Set  
Amplifier Probe and Tone Generator  
Helps locate, identify and trace cable pairs,  
individual conductors and metallic wiring in  
electrical, CATV, data, telephone and  
security cabling  
Rugged High-Impact ABS Case  
Includes 9V batteries and nylon holster  
Display Packaged for Resale



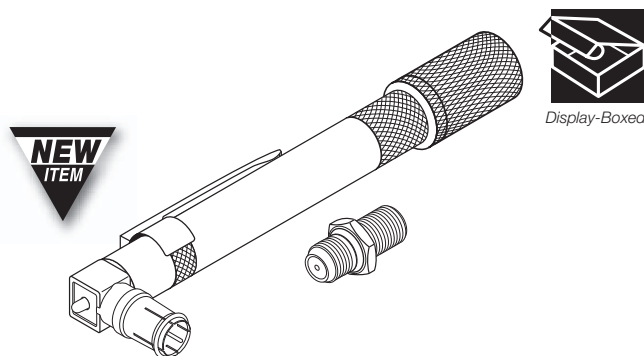
602-810

**Inductive Amplifier Probe Features:**  
High-Sensitivity Detection Circuitry  
Built-In 2-inch Speaker  
Adjustable Volume Control for Added  
Sensitivity and Interference Reduction  
Recessed On-Off Switch

**Tone Generator Features:**  
Provides Tip and Ring Identification,  
Line Condition and Verification,  
Functions as Continuity Tester,  
3-Color LED Polarity Tester  
9V Peak-Peak Square-Wave Output  
Alternating HI-LO or Solid Tones  
Tone Frequency 700-1300Hz HI-LO  
Tone Frequency 1000Hz Solid Tone  
Output Impedance 2700Ω

## Cable Continuity Tester

**NEW ▶ 203-550** Pocket Short-Continuity Toner  
Confirms DC continuity with  
loud audible tone and circuit-shorts with  
easy-to-read LED Indicator  
Quick Push-On Angle F-Connector  
Removable tone detector screws to base  
Rugged Anodized-Brass Construction  
Includes 12V battery and F81 adapter



203-550