

ACCESSORIES

Model PM-20V

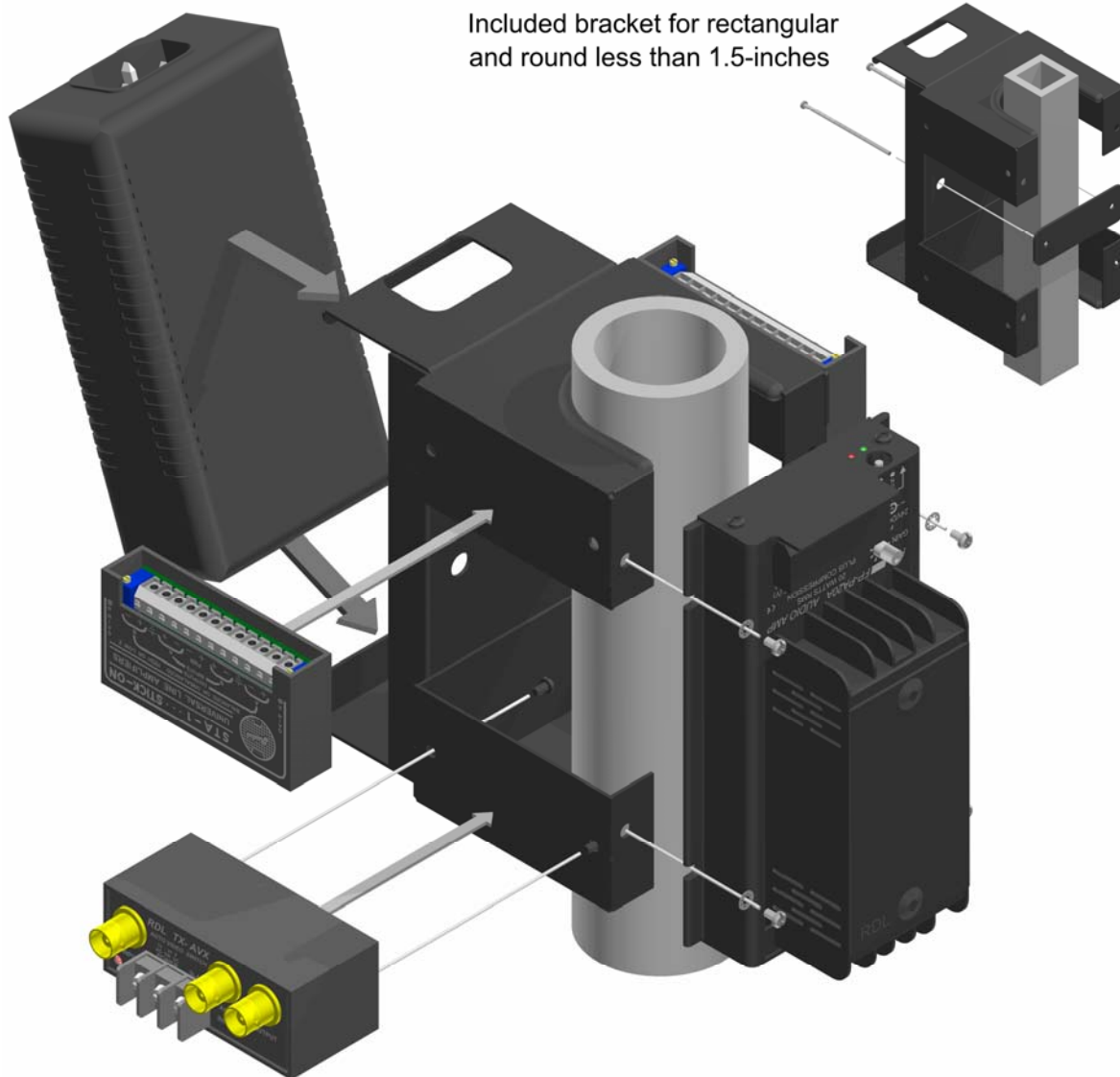
Vertical Pole Mount for FP-PA20 Models

Installation/Operation



EN55103-1 E1-E5; EN55103-2 E1-E4

Typical Performance reflects product at publication time exclusive of EMC data, if any, supplied with product. Specifications are subject to change without notice.



Included bracket for rectangular and round less than 1.5-inches

The PM-20V is designed to mount an RDL FP-PA20 style audio power amplifier and its associated PS-24U2 power supply to a projector pole. This is a vertical mounting system designed to grip a standard 1-1/2" I.D. pole common to most projector mounts. An included bracket and screw set allows mounting to poles smaller than 1-1/2" and to square or rectangular projector mounts. Adequate vertical pole clearance must be available for mounting the PM-20V. The bracket side plates are intended for the mounting of any RDL STICK-ON® or TX™ series module.

Capacity:	1 PS-24U2 Power Supply, and 1 FP-PA20 style amplifier
Dimensions:	Height: 5.95" (15.11 cm), Depth: 5.06" (12.85 cm), Width: 3.52" (8.94 cm)
Material:	Combination of 18-gauge and 16-gauge steel
Finish:	RDL Black

Radio Design Labs Technical Support Centers

U.S.A. (800) 933-1780, (928) 778-3554; Fax: (928) 778-3506

Europe [NH Amsterdam] (+31) 20-6238 983; Fax: (+31) 20-6225-287