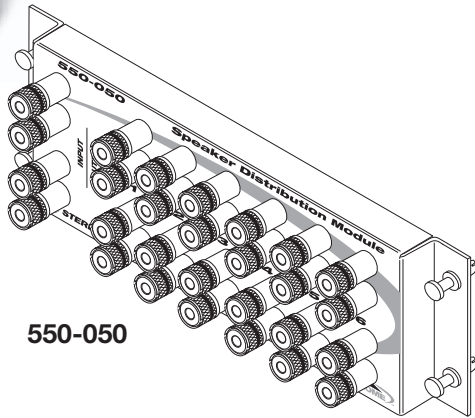


**NEW
ITEM**



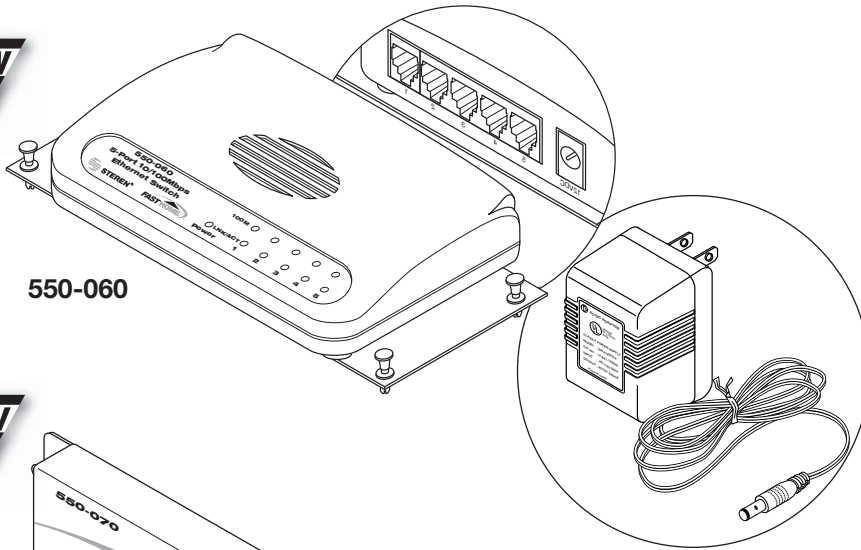
550-050



FastHome™ Network Modules

Fast Media Home Network Systems Modules Integrates, manages and distributes broadband and multimedia on a flexible, customizable platform Provides secure and reliable connections for voice, video, data and audio applications White Textured Powder-Coated Corrosion-Resistant Finish Sturdy 18-Gauge Cold Rolled Steel – UL Listed Durable Construction for Strength and RFI Shielding Nylon pins snap modules into place without tools Use in FastHome enclosure or on backboard

**NEW
ITEM**

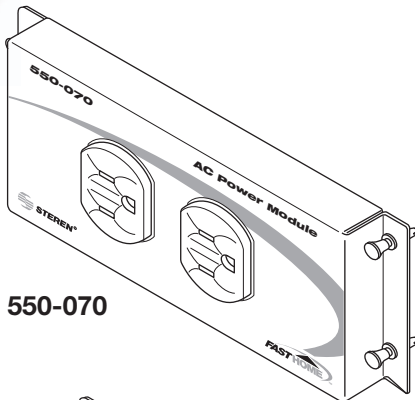


550-060

NEW ▶ 550-050 Fast Media Audio Splitter Module Distributes 2 audio channels to 6 rooms Suitable for Audio Systems, Intercoms and Impedance-Matched Volume Controls Gold-Plated Solid Brass Binding Posts Secure Connections for up to AWG14 Wire 45° Angled Holes for Convenient Installation Accepts banana plug terminations Current 10mA max Voltage 1.1kVAC max. 6 1/2" (W) x 2 7/8" (H) x 1" (D)

NEW ▶ 550-060 Fast Media Ethernet Switch Module Creates Ethernet data network in the home Centrally connects PCs and peripherals 5 Gold-Plated RJ45 Contacts LED Panel Indicators for Power On and High-Speed Access – Slide Switch Uplink Auto-Negotiation on All Ports Includes 12VDC 500mA transformer IEEE-802.3/802.3u (10/100Mbps) 6 1/2" (W) x 2 7/8" (H) x 1" (D)

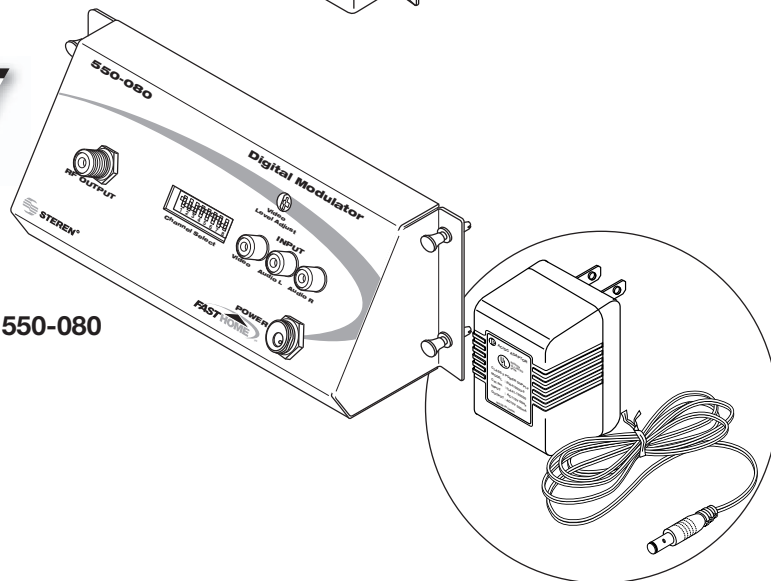
**NEW
ITEM**



550-070

NEW ▶ 550-070 Fast Media Power Module Provides central 120VAC power for modules in the FastHome Enclosure UL NEMA 5-15R Duplex Receptacle Features rear 1/2" knock-out hole with push-in NM-B cable connector 6 1/2" (W) x 2 7/8" (H) x 1" (D)

**NEW
ITEM**



550-080

NEW ▶ 550-080 Fast Media RF Modulator Module Modulates video signals for insertion into home CATV system (114 channels) Allows adding security camera feed at all TVs for increased security DIP Switch Sets Output Channel (14-128) Nickel-Plated F and RCA Jacks Includes 12VDC 500mA transformer Video Carrier: 15±3dB Amplitude Frequency Characteristics: ±3dB Differential Phase and Gain: 10% Video Input Impedance: 75Ω Audio Carrier Frequency: 4.5±0.005MHz Audio Distortion: 2% max. Audio S/N: 40dB min 6 1/2" (W) x 3" (H) x 1" (D)

