

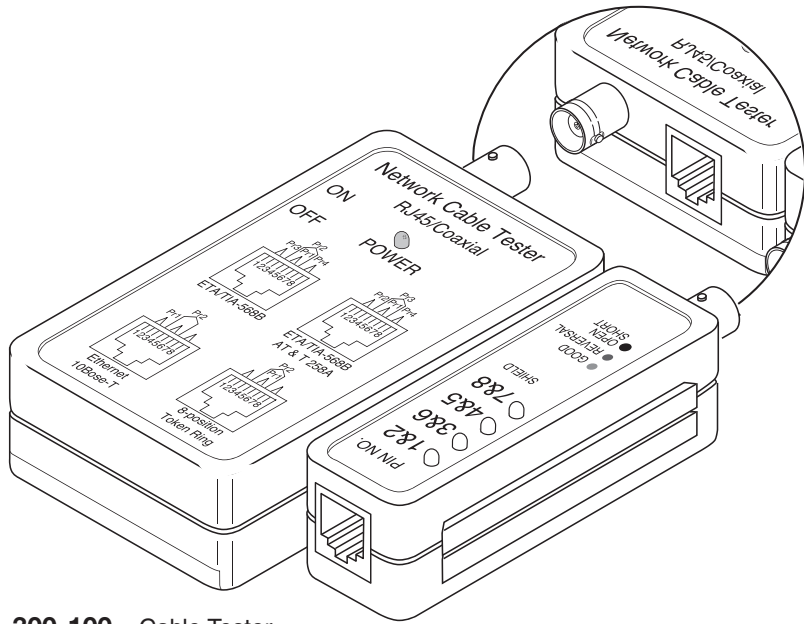
**300-556** 4x4/6x6 Die Handset, RJ11, RJ12  
**300-574** 6x6/8x8 Die RJ11, RJ12, RJ45

**Modular-Ratchet Crimp Tools**

Professional Crimp Tools for Quick, Easy Termination of Flat- and Round-Stranded Modular Plugs  
 Ratchet action offers precise, repeatable terminations  
 Hardened Steel Construction – Black Oxide Finish  
 Comfortable blue grip handles reduce hand fatigue  
 UL Listed – Built-In Cutting-Stripping Blades

**300-556** Ratchet Crimp Tool for Handset, RJ11, RJ12  
 Suitable for 4x4, 6x4, 6x6 Modular Plugs  
 Hardened Steel – Black Oxide Finish  
 Built-In Cutting-Stripping Blades  
 Blue Grip Handles – Weight 19.2oz  
 Dimensions 2 3/4"(W) x 8 1/2"(H) x 1"(D)

**300-574** Ratchet Crimp Tool for RJ11, RJ12, RJ45  
 Suitable for 6x4, 6x6, 8x8 Modular Plugs  
 Hardened Steel – Black Oxide Finish  
 Built-In Cutting-Stripping Blades  
 Blue Grip Hands – Weight 19.2oz  
 Dimensions 2 3/4"(W) x 8 1/2"(H) x 1"(D)

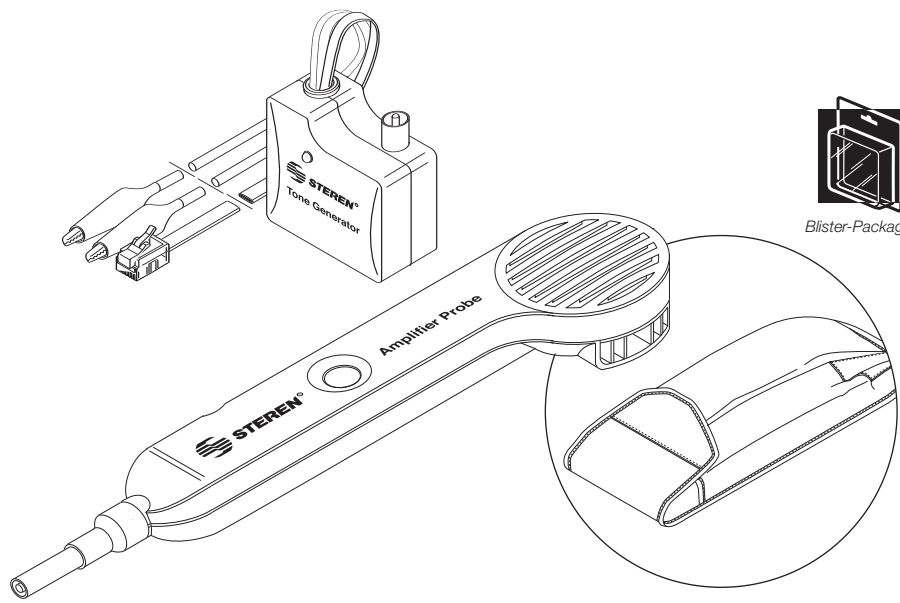


**300-100** Cable Tester

**Network Cable Tester**

**300-100** 4-Pair-EIA/TIA568/Coaxial Cable Tester  
 Tests local or installed cable with removable RJ45-BNC remote unit  
 Provides instant diagnosis of 4-pair twisted-pair and coax for continuity, opens, shorts, miswires, crossed, reversed, transposed and split-pairs  
 Green LEDs indicate good connections  
 Red or other colors indicate faults  
 Includes 9V battery  
 Display Boxed for Resale

**Cable Locator**



**602-810**



**602-810** Cable Locator Tone-Test Set  
 Amplifier Probe and Tone Generator  
 Helps locate, identify, trace cable-pairs, individual conductors and metallic wiring in electrical, CATV, data, telephone and security cabling  
 Rugged High-Impact ABS Case  
 Includes 9V batteries and nylon holster  
 Display Packaged for Resale  
**Inductive Amplifier Probe Features:**  
 High-Sensitivity Detection Circuitry  
 Built-In 2-inch Speaker  
 Adjustable Volume Control for Added Sensitivity and Interference Reduction  
 Recessed On-Off Switch  
**Tone Generator Features:**  
 Provides Tip and Ring Identification, Line Condition and Verification, Functions as Continuity Tester, 3-Color LED Polarity Tester  
 9V Peak-Peak Square-Wave Output  
 Alternating HI-LO or Solid Tones  
 Tone Frequency 700-1300Hz HI-LO  
 Tone Frequency 1000Hz Solid Tone  
 Output Impedance 2700Ω