

203-550

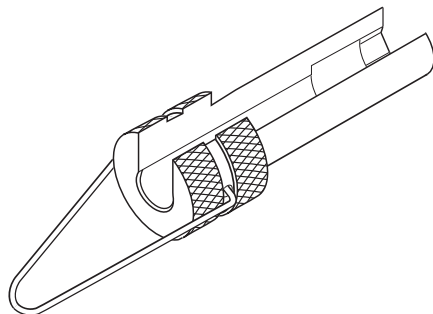
NEW ▶ 203-550 Pocket Short-Continuity Toner
 Confirms DC continuity with loud audible tone and circuit-shorts with easy-to-read LED Indicator
 Quick Push-On Angle F-Connector
 Removable tone detector screws to base
 Rugged Anodized-Brass Construction
 Includes 12V battery and F81 adapter

Security Shields

1 1/8" Die-Cast Metal Security Shields
 0.58" Wall Thickness – 5/8" Diameter
 Blocks wrench access – Protects F connectors on traps, ground blocks and converters from unwanted tampering

200-966 1 1/8" Metal Screw-On Shield

200-968 1 1/8" Metal Slip-On Shield



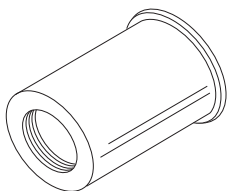
204-400

Security Tools

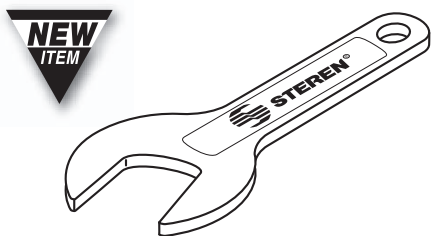
204-400 Security Shield Tool
 Precision Machined Nickel-Plated Steel Construction
 7/16" socket ensures even pressure
 Sure Grip-End and Clip Ring for Increased Tightening Leverage
 Suitable for Use with 200-966 and 200-968 Security Sleeves

204-410BL 7/16" F Connectors Mini Wrench
 Blue Anodized Aluminum

204-411BK 7/16" F Connectors Mini Wrench
 Black High-Impact Plastic



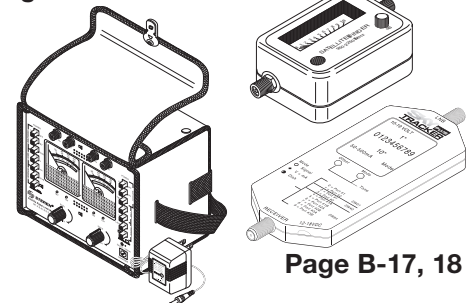
200-966 Screw-On
200-968 Slip-On



204-410BL 7/16" Blue Aluminum
204-411BK 7/16" Black Plastic

Related Products

Signal Level Meters



Page B-17, 18