



RCA Coaxial Cables

75Ω Low-Loss RG59/U Coaxial Cables
Molded Nickel or Gold-Plated F and RCA Connectors
AWG22 Solid Copper/CCS Center Conductor
100% Aluminum Foil Shield
32x0.12mm Copper/Aluminum Braid

- 205-515** 6' F Plug to RCA Plug
- 206-000** 6' RCA Plug to RCA Plug
- 206-010** 12' RCA Plug to RCA Plug
- 206-015** 25' RCA Plug to RCA Plug
- 206-200** 6' RCA Plug to RCA Plug – Gold

Economy Video Patch Cords

Low-Loss Fully Shielded RCA Dubbing Cables
Applications include home theater, DSS receivers,
S-Video VCRs, camcorders and DVD players
3-Spiral-Wound-Shield Audio-Video Conductors
95% Spiral Wound Copper Shield
Fully Molded Color Coded Nickel RCA Connectors
Flexible Black PVC Jacket

- 206-276** 6' Stereo 3-RCA Video Patch Cord
- 206-278** 12' Stereo 3-RCA Video Patch Cord

RCA Video Patch Cords

Low-Loss Fully Shielded RCA Dubbing Cables
Applications include home theater, DSS receivers,
S-Video VCRs, camcorders and DVD players
1 RG59-Video + 2-Shielded Audio Conductors
95% Spiral-Wound-Shield Audio Conductors
Fully Molded Color-Coded Gold RCA Connectors
Flexible Black PVC Jacket

- 206-250** 6' Mono-VCR Cable – Gold
- 206-252** 12' Mono-VCR Cable – Gold
- 206-273** 3' Stereo 3-RCA Video Patch Cord
- 206-275** 6' Stereo 3-RCA Video Patch Cord
- 206-277** 12' Stereo 3-RCA Video Patch Cord
- 206-282** 18' Stereo 3-RCA Video Patch Cord
- 206-284** 25' Stereo 3-RCA Video Patch Cord
- 206-288** 50' Stereo 3-RCA Video Patch Cord

Premium Video Patch Cords

High-Grade Premium VCR Dubbing Cables
Applications include home theater, DSS receivers,
S-Video VCRs, camcorders and DVD players
1 RG59-Video + 2-Shielded Audio Conductors
95% Spiral-Wound-Shield Audio Conductors
Color-Coded Gold-Plated RCA Connectors
Flexible Black PVC Jacket

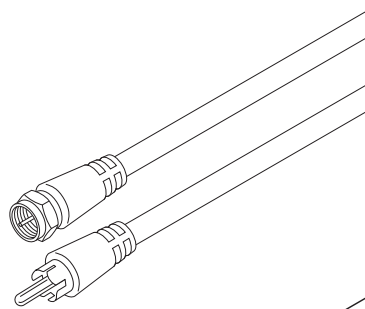
- 206-265** 6' Stereo VCR Cable – Premium

Python™ Home Theater Cables

High-Definition Home Theater AV RCA Interconnects
Applications include home theater, DSS receivers,
S-Video VCRs, camcorders and DVD players
1 RG59-Video + 2 Shielded Audio Conductors
100% Spiral-Wound Bare Copper Shield
Ultra-Flexible Satin Blue Rubberized PVC Jacket
Low Density Foam Dielectric
99.99% Pure Oxygen-Free Copper Wire
24K Gold Plated Heavy Duty RCA Connectors
Color-Coded – Fully Molded Construction

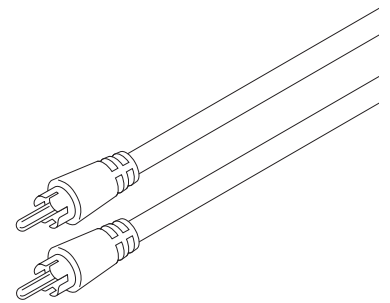
- 254-310BL** 3' Blue 3-RCA Python Cable
- 254-315BL** 6' Blue 3-RCA Python Cable
- 254-320BL** 12' Blue 3-RCA Python Cable

Black



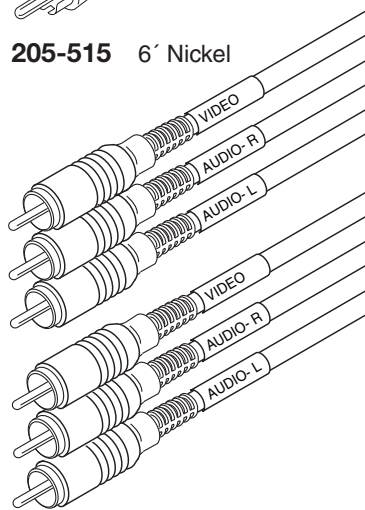
205-515 6' Nickel

Yellow



- 206-000** 6' Nickel
- 206-010** 12' Nickel
- 206-015** 25' Nickel
- 206-200** 6' Gold

Yellow

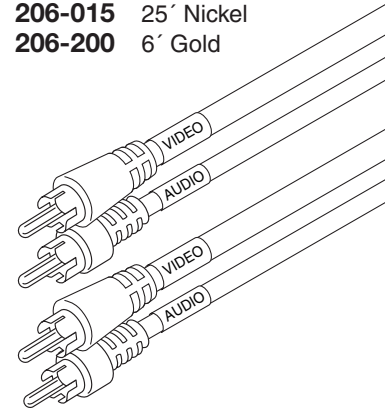


Red

White

- 206-276** 6' Stereo Nickel
- 206-278** 12' Stereo Nickel

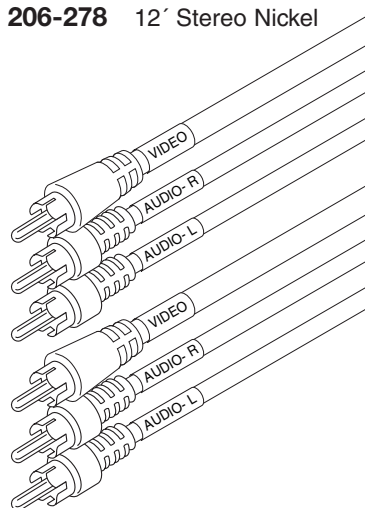
Yellow



White

- 206-250** 6' Mono Gold
- 206-252** 12' Mono Gold

Yellow



Red

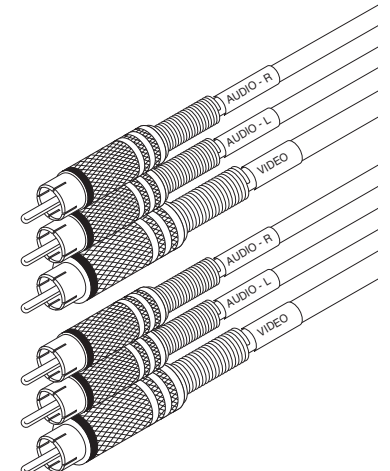
White

- 206-273** 3' Stereo Gold
- 206-275** 6' Stereo Gold
- 206-277** 12' Stereo Gold
- 206-282** 18' Stereo Gold
- 206-284** 25' Stereo Gold
- 206-288** 50' Stereo Gold

Red

White

Yellow

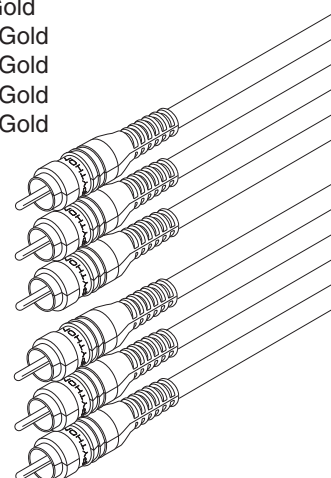


206-265 6' Stereo High-Grade

Yellow

Red

White



- 254-310BL** 3' Blue Stereo Gold
- 254-315BL** 6' Blue Stereo Gold
- 254-320BL** 12' Blue Stereo Gold

