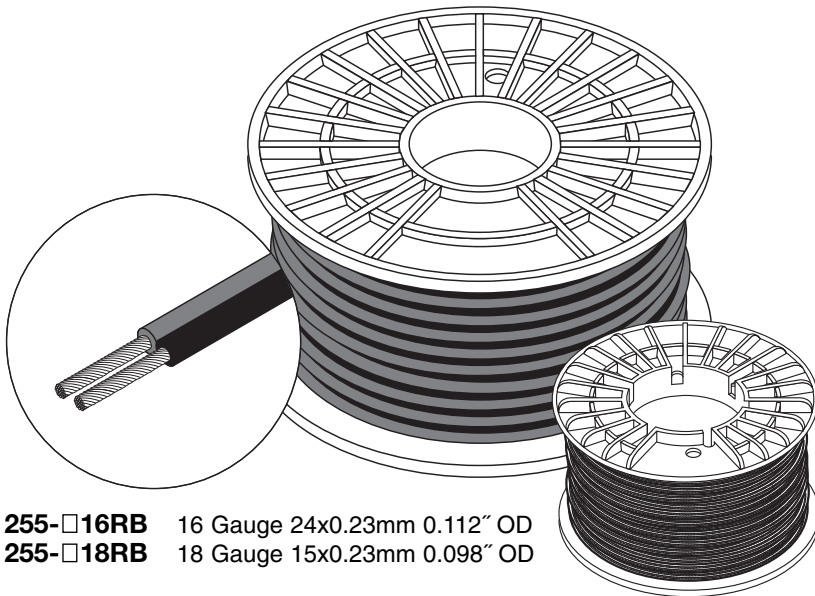


<b>255-715CL</b>	50' 14 Gauge	41x0.23mm 0.138" OD
<b>255-717CL</b>	50' 16 Gauge	24x0.23mm 0.112" OD
<b>255-719CL</b>	50' 18 Gauge	15x0.23mm 0.098" OD
<b>255-814CL</b>	25' 14 Gauge	41x0.23mm 0.138" OD
<b>255-816CL</b>	25' 16 Gauge	24x0.23mm 0.112" OD
<b>255-818CL</b>	25' 18 Gauge	15x0.23mm 0.098" OD

### Coiled Speaker Cable

Coiled, Tied Standard Application Speaker Cable Good Performance and Sound Quality for Most Speaker and Audio Equipment Connections Delivers fine quality sound in long runs Parallel Conductors, Polarized Bare Copper-Tinned 99.99% Pure Oxygen-Free Copper Conductors Clear Flexible PVC Jacket – Black Plastic Spool

<b>255-715CL</b>	50' 14-Gauge – Coiled-Tied
<b>255-717CL</b>	50' 16-Gauge – Coiled-Tied
<b>255-719CL</b>	50' 18-Gauge – Coiled-Tied
<b>255-814CL</b>	25' 14-Gauge – Coiled-Tied
<b>255-816CL</b>	25' 16-Gauge – Coiled-Tied
<b>255-818CL</b>	25' 18-Gauge – Coiled-Tied

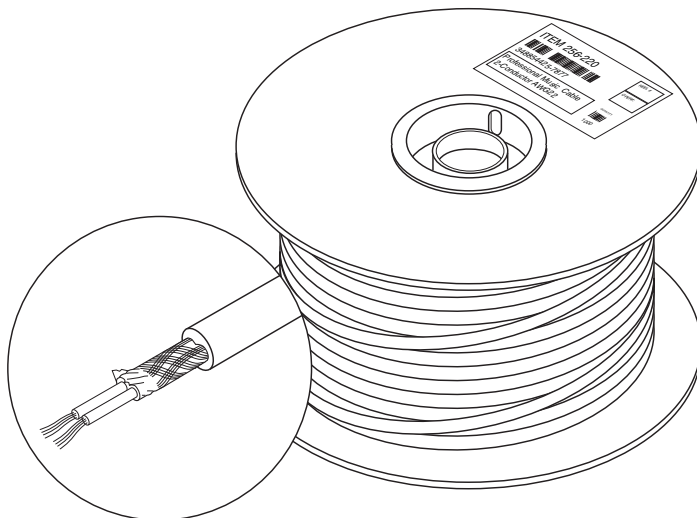


<b>255-□16RB</b>	16 Gauge 24x0.23mm 0.112" OD
<b>255-□18RB</b>	18 Gauge 15x0.23mm 0.098" OD

### Bulk Hook-Up Cable

General Purpose Audio Hook-Up Wire 99.99% Pure Oxygen-Free Copper Conductors Red-Black Flexible PVC Jacket 2.8mm OD 16- or 18-Gauge Copper Wire

<b>255-316RB</b>	1000' 16 Gauge Red-Black
<b>255-318RB</b>	1000' 18 Gauge Red-Black
<b>255-516RB</b>	100' 16-Gauge Red-Black
<b>255-518RB</b>	100' 18-Gauge Red-Black
<b>255-716RB</b>	50' 16-Gauge Red-Black
<b>255-718RB</b>	50' 18-Gauge Red-Black



<b>256-210</b>	500' 2-Conductor
<b>256-220</b>	1000' 2-Conductor

### Bulk Microphone Cable

High Reliability, Professional Microphone Cable Reliable Transmission at Audio Frequencies Minimizing Hum and Cross-Talk Interference Suitable for Microphones, Musical Instruments and Home Entertainment 7x0.25mm AWG22 Center Conductors 99.99% Pure Oxygen-Free Copper Wire Low-Loss 95% Spiral-Wound Copper Shield 2-Conductor 0.236" OD – 52x0.12mm Shield Black Ultra-Flexible Rubber Jacket

<b>256-210</b>	500' 2-Conductor Microphone Cable
<b>256-220</b>	1000' 2-Conductor Microphone Cable