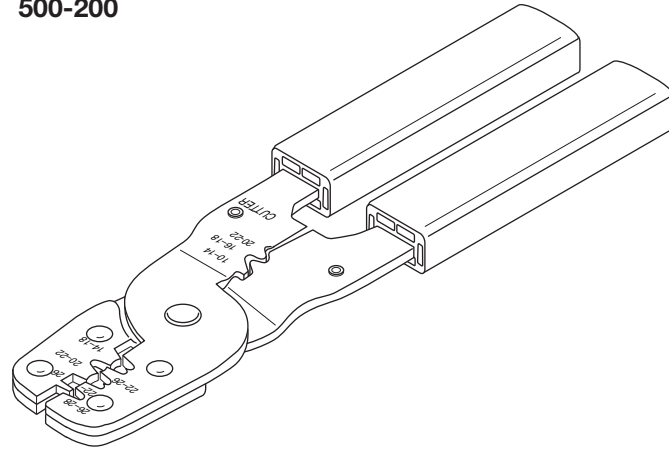
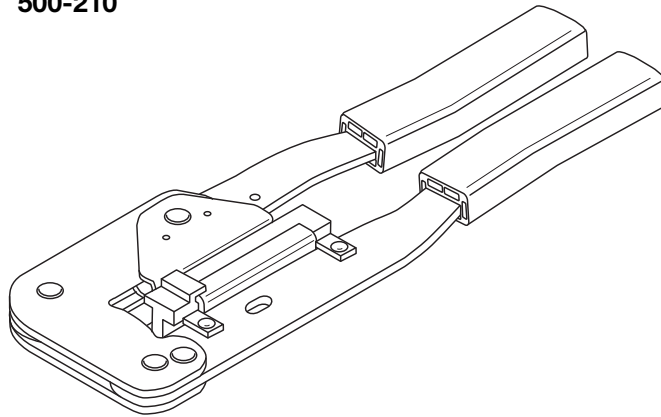


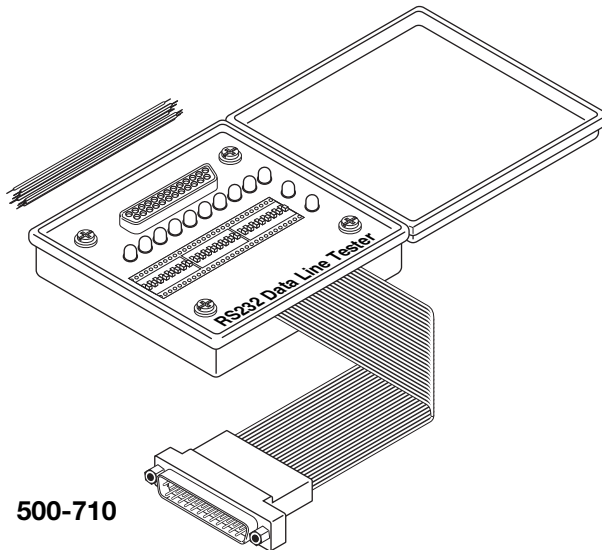
**500-200**



**500-210**



**500-220**



**500-710**

**D-Sub Installation Tools**

**500-200** D-Sub Pin-Insertion/Extraction Tool

**500-210** D-Sub Crimp Tool  
Suitable for D-Sub Contacts and  
AWG22-28 Butt-Connectors  
Hardened Steel Construction  
Cushion-Grip Handles

**IDC Installation Tool**

**500-220** 9 1/2" IDC Crimp Tool  
Suitable for IDC Socket, D-Sub,  
Centronics Flat-Cable Connectors  
Hardened Steel Construction  
Cushion-Grip Handles

**RS232 Line Tester**

**500-710** RS232 Handheld Breakout Box  
12-Line Monitor Red-Green LEDs  
3x8-Position DIP Switches  
20-Cross-Patching Jumper Wires  
Requires no batteries