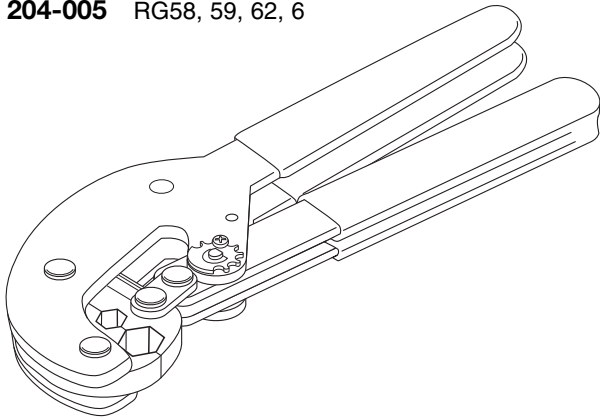


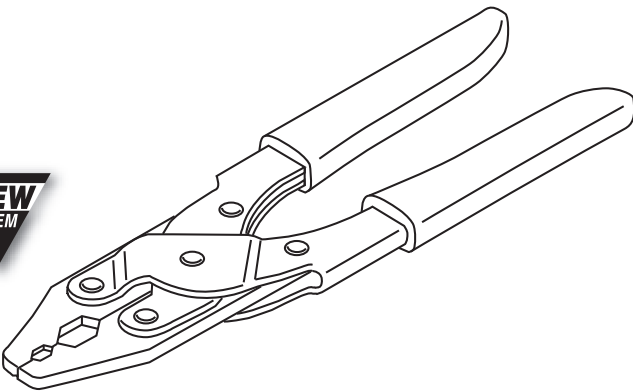
Blister-Packaged

204-004 RG58, 59, 62
204-005 RG58, 59, 62, 6



Blister-Packaged

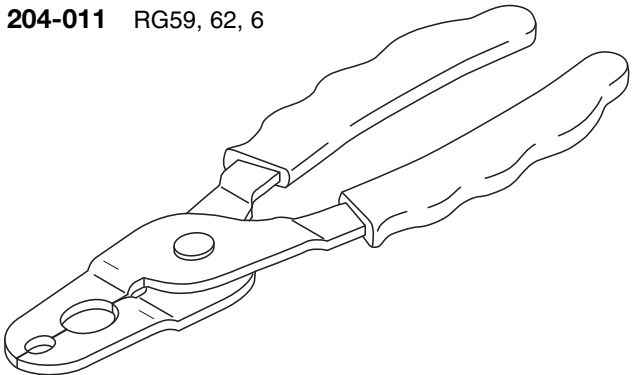
204-007 RG6, 59, 62
204-009 RG6, 59, 11 Adjustable Tension Wheel



Blister-Packaged



204-011 RG59, 62, 6



Blister-Packaged

204-020 RG59, 62, 6

Crimp Termination Tools

Professional Termination of RG6/11/58/59/62 Fittings
 Rugged Hardened Carbon Steel Construction
 Black-Oxide Plated – Comfortable Grip Handles for
 Reduced Hand Fatigue – High-Lever Action Mechanism
 Display Packaged for Resale

204-004 3-Cavity 9" Hex Crimp Tool for RG58, RG59 and RG62 Coaxial Fittings
 Hex Die 0.256", 0.213", 0.068"
 Full-Cycle Ratchet Mechanism
 Yellow Grip Handles – Weight 16oz
 Dimensions 2 1/2"(W) x 8 1/2"(H) x 3/4"(D)

204-005 4-Cavity 9" Hex Crimp Tool for Coaxial Center Contacts, RG58, RG59, RG62, RG6 Coaxial Fittings
 Hex Die 0.319", 0.256", 0.213", 0.068"
 Full-Cycle Ratchet Mechanism
 Red Grip Handles – Weight 16oz
 Dimensions 2 1/2"(W) x 8 3/4"(H) x 3/4"(D)

204-007 2-Cavity 9" Hex Crimp Tool for RG59, RG62, and RG6 Coaxial Fittings
 Hex Die 0.319", 0.256"
 Red Grip Handles – Weight 16oz
 Dimensions 3"(W) x 9"(H) x 3/4"(D)

204-009 2-Cavity 9" Hex Crimp Tool for RG59, RG6 Universal and RG11 Fittings
 Hex Die 0.480", 0.362"
 Star-wheel adjustable jaw-tension provides consistent crimping
 Blue Grip Handles – Weight 16oz
 Dimensions 2 1/2"(W) x 8 3/4"(H) x 3/4"(D)

Economy Crimp Tools

NEW ▶ **204-011** 2-Cavity 8" Hex Economy Crimp Tool
 Suitable for RG59-62-6 Fittings
 Black Grip Handles – Weight 11oz
 Dimensions 2"(W) x 8"(H) x 3/4"(D)

204-020 2-Cavity 6" Oval Economy Crimp Tool
 Suitable for RG59-62-6 Fittings
 Red Grip Handles – Weight 4oz
 Dimensions 1 3/4"(W) x 6"(H) x 3/4"(D)