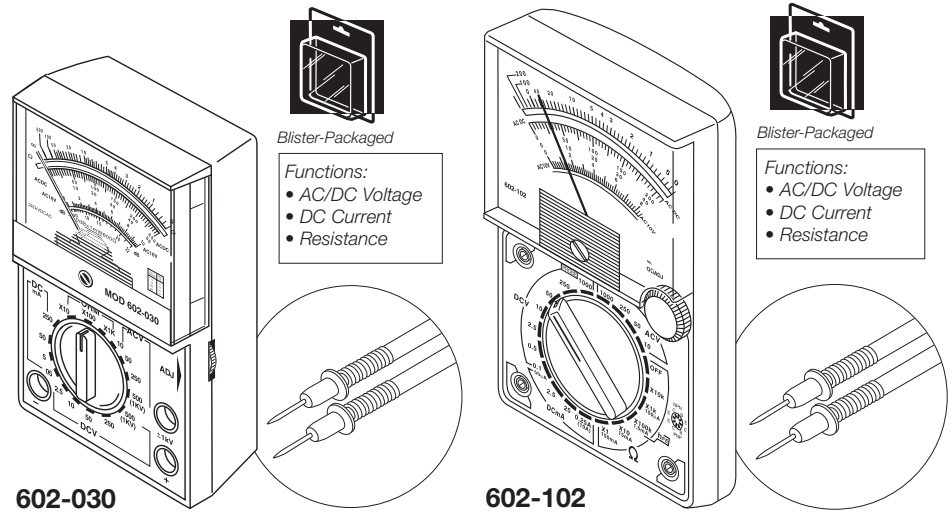


Analog Multimeters

- 602-030** Pocket Economy Analog VOM
 90° Arc Mirrored Scale
 Voltage 0-1000 VDC/VAC
 Sensitivity 2000Ω/Volt
 Current 0-250mA DC
 Resistance Rx10 Rx100 Rx1k Ω
 Includes 1 AA battery
 2 1/2"(W) x 3 7/8"(H) x 1 3/8"(D)
- 602-102** Analog VOM and Transistor Tester
 90° Arc Mirrored Scale
 Voltage 0.1-25K VDC/0-1000 VAC
 Sensitivity 20,000Ω/Volt DC
 Sensitivity 9,000Ω/Volt AC
 Sensitivity 2000Ω/Volt
 Current 0-10ADC
 Resistance 2kΩ-20MΩ
 Includes 9V and 2 AA batteries
 3 3/4"(W) x 5 3/4"(H) x 1"(D)



Blister-Packaged

Functions:

- AC/DC Voltage
- DC Current
- Resistance

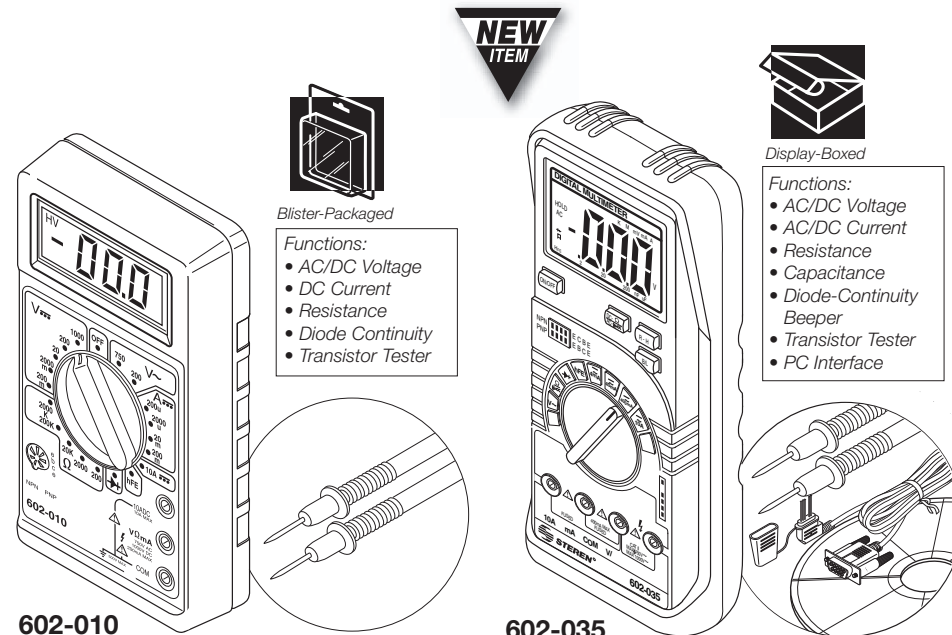
Blister-Packaged

Functions:

- AC/DC Voltage
- DC Current
- Resistance

Digital Multimeters

- 602-010** 3 1/2-Digit Digital Multimeter
 1/2" LCD Display
 20-Position Rotary Range-Switch
 Diode and Transistor Tester
 Overload Protected
 Transistor Tester 1.5mA max.
 Voltage 200mV-1000V DC ±0.5%
 Voltage 200-750V AC ±1.2%
 Current 200μA-10A DC ±1%
 Resistance 200-2MΩ ±8%
 High-Visibility Yellow Case
 Includes 30" test leads and 9V battery
 2 5/8"(W) x 4 7/8"(H) x 1"(D)
- 602-035** 3-Digit Digital Auto Range Multimeter **◀ NEW**
 1" Digital and Analog Backlit LCD Display
 8-Position Rotary Range-Switch
 38 Segment Analog Bar Graph
 Display and Audio Continuity Test
 Diode Test – RS232C PC Interface
 Auto Power Off – Data Hold
 Voltage 4-400VDC ±0.5% 1kVDC ±0.8%
 Voltage 4-400VAC ±1.2% 750VAC ±1.5%
 Current: DC 1-400mA ±1.2% 10A ±2.0%
 Current: AC 1-400mA ±1.5% 10A ±3.0%
 Resistance 4MΩ ±1.2% 40MΩ ±3.0%
 Yellow Injection Molded Tuff Case
 18" Test Leads and 9V Battery Included
 3"(W) x 7 1/4"(H) x 1 3/8"(D)
- 602-040** 3 1/2-Digit Adjustable-Display DMM
 1" High-Contrast LCD Display
 30-Position Rotary Range-Switch
 Diode and 50Ω Continuity Beeper
 Overload Protected – Data-Hold Switch
 Transistor Tester 10μA 3.4V
 Voltage 200mV-1000V DC ±0.5%
 Voltage 200mV-700V AC ±0.8%
 Input Impedance 10-100MΩ
 Current 200μA-10A DC ±0.8%
 Current 200μA-10A AC ±1%
 Capacitance 2nF-20μF ±2.5%
 Resistance 200Ω-20MΩ ±8%
 36" 1500V Double-Insulated Test Leads
 Yellow Injection Molded Tuff Case
 Includes leatherette case and 9V battery
 3 3/4"(W) x 7 3/4"(H) x 1 5/8"(D)



Blister-Packaged

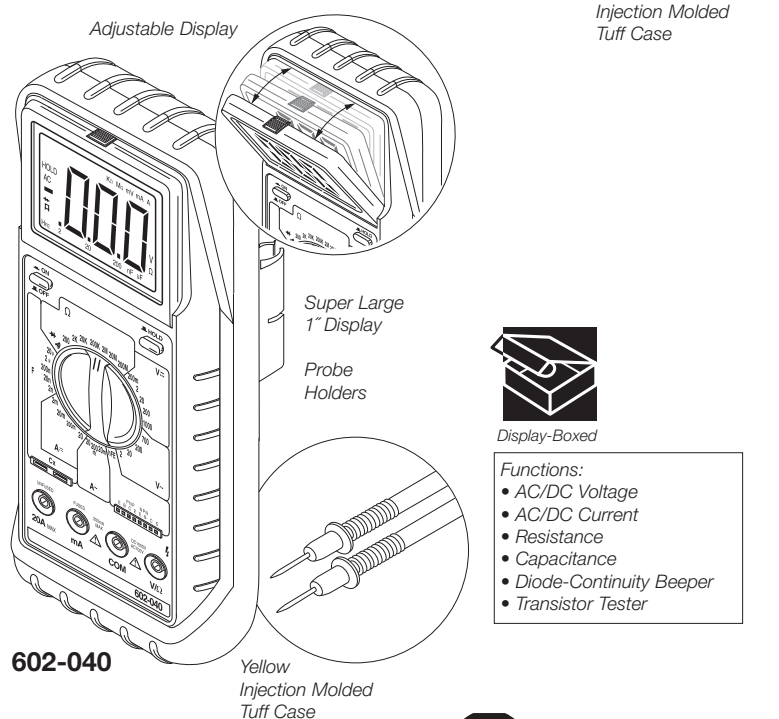
Functions:

- AC/DC Voltage
- DC Current
- Resistance
- Diode Continuity
- Transistor Tester

Display-Boxed

Functions:

- AC/DC Voltage
- AC/DC Current
- Resistance
- Capacitance
- Diode-Continuity Beeper
- Transistor Tester
- PC Interface



Adjustable Display

Super Large 1" Display

Probe Holders

Yellow Injection Molded Tuff Case

Display-Boxed

Functions:

- AC/DC Voltage
- AC/DC Current
- Resistance
- Capacitance
- Diode-Continuity Beeper
- Transistor Tester