

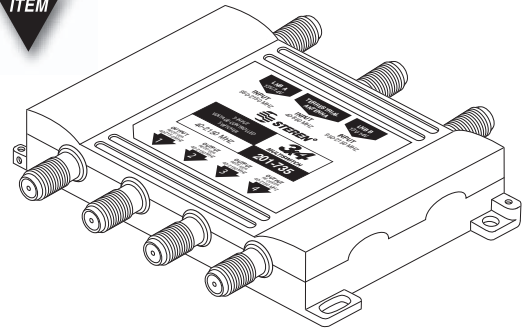
Satellite Multiswitches

Multi-Receiver Satellite Multiswitches
Designed for Residential and Commercial Applications
Multiswitch allows independent operation of multiple satellite receivers using a single dish
Combines 2 satellite LNB and 1 off-air TV antenna inputs to any satellite receiver
Routes any input to any output using 13-14V vertical or 17-18V horizontal polarities
SMD Multiple-Layered Printed Circuit Board Design
High-Performance Pin-Diode Signal Switching
Precision Machined F-Connector Threads
Impedance 75Ω – 60mA DC Current Consumption
Current Pass 500mA max.
Terrestrial Ports Frequency 5-862MHz
Satellite Port Frequency 950-2200MHz
Supplied with Protective F-Port Plastic Caps

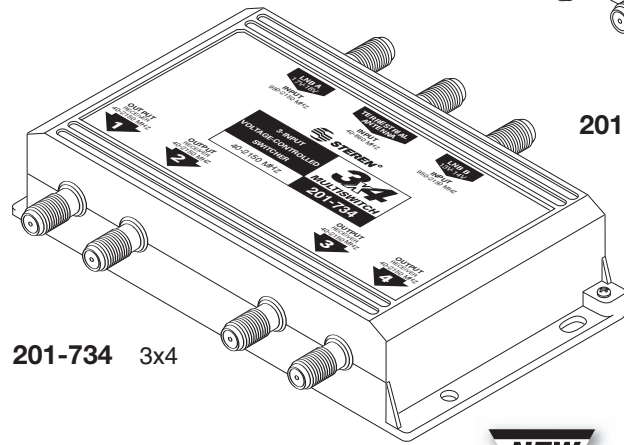
- 201-734** 3x4 Satellite Multiswitch
Isolation 14dB – Return Loss 8dB
Insertion Loss 5dB Sat, 4dB Terr
5 7/8" (W) x 3 1/8" (H) x 1 1/8" (D)
- 201-735** 3x4 Compact Satellite Mini-Multiswitch ◀ **NEW**
Isolation 20dB – Return Loss 8dB
Insertion Loss 7dB Sat, 12dB Terr
3 9/16" (W) x 7/8" (H) x 2 5/8" (D)
- 201-736** 3x4 High Performance Multiswitch ◀ **NEW**
Isolation 35dB – Return Loss 10dB
Insertion Loss: 3dB Sat, 2.1dB Terr
5 3/8" (W) x 2 1/2" (H) x 1" (D)
- 201-738** 3x8 Satellite Multiswitch
Isolation 30dB – Return Loss 8dB
Insertion Loss: 6dB Sat, 15dB Terr
Optional 18VDC 500mA Power Supply
Sold Separately (201-739)
5 3/4" (W) x 4" (H) x 1 1/8" (D)
- 201-739** 18VDC 500mA Power Supply
Powers 201-738, 202-134

DSS Tone-Controlled Switch

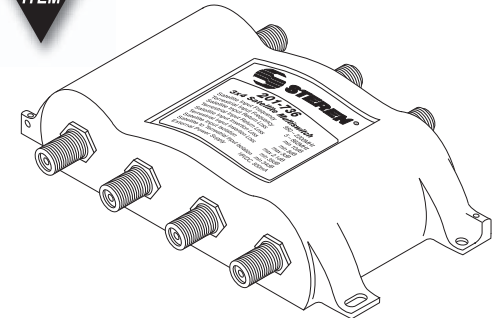
- 201-740** 22kHz Tone-Controlled Auto Switch ◀ **NEW**
DirecTV, DVB, 4DTV Compatible
Used in signal routing in DSS, Ku, C, digital and analog environments
Switches between two separate LNB feeds on the same or separate dishes
SMD Printed Circuit Board Design
High-Performance Pin-Diode Switching
Nickel-Plated Zinc-Alloy Cast Housing
Weather-Proof Sealed Construction
Precision Machined F-Connector Threads
Frequency Range 47-2250MHz
Impedance 75Ω – Insertion Loss 2dB
Switching Isolation 25dB
Input Isolation 30dB – Return Loss 8dB
DC Pass Through Current 500mA max.
DC Current Consumption 15mA
3" (W) x 3" (H) x 1 3/8" (D)



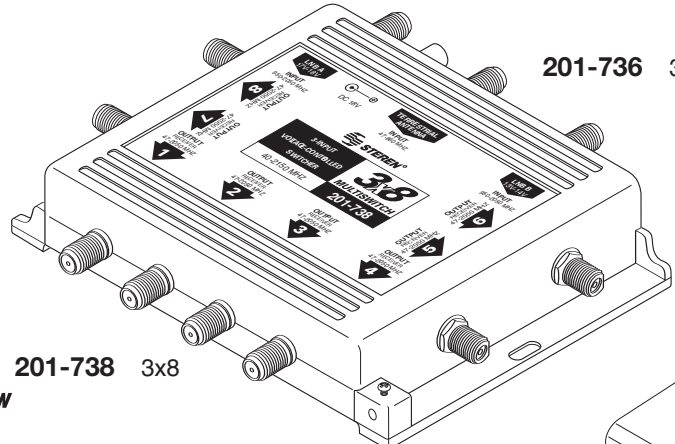
201-735 3x4 Compact



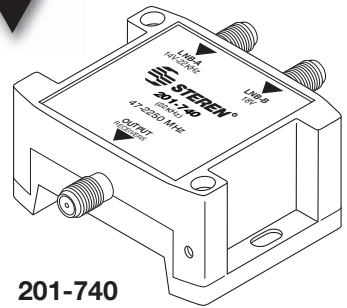
201-734 3x4



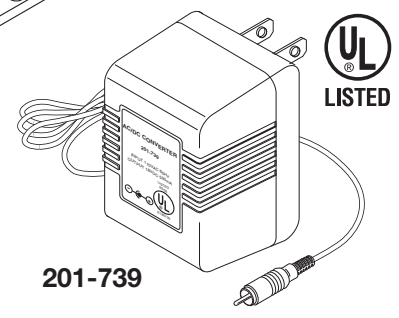
201-736 3x4 High-Performance



201-738 3x8



201-740



201-739