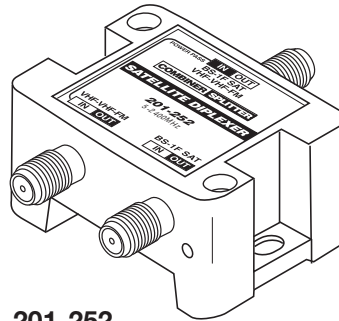
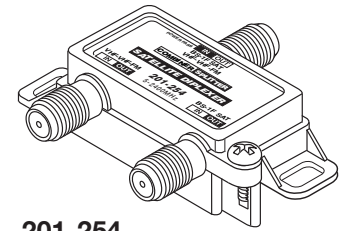


Satellite Diplexer-Mixers

5-2400MHz Satellite Splitter-Combiners
 Separates or combines off-air TV-antenna and satellite signals from or onto a single feed-line
 High-Performance SMD Printed-Board Circuitry
 Anti-Corrosion Nickel-Plated Zinc-Alloy Cast Housing
 90dB min. RFI Shielding – Epoxy-Sealed Back-Cover
 3/8" Precision Machined F-Connector Threads
 DC Power Passing to One Port 500mA max.
 Insertion Loss VHF-UHF 0.5dB – Satellite 1.5dB
 Isolation VHF 25dB – UHF 20dB – Satellite 23dB
 Return Loss VHF 18dB – UHF 10dB – Satellite 12dB



201-252



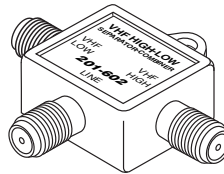
201-254

201-252 5-2400MHz TV-Satellite Diplexer
 Dimensions 1 3/8"(W) x 2"(H) x 1"(D)
 Nickel-Plated Zinc-Cast Housing

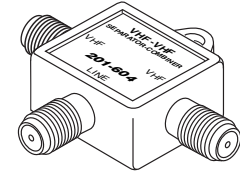
201-254 5-2400MHz TV-Satellite Mini-Diplexer
 Dimensions 1 1/2"(W) x 5/8"(H) x 1"(D)
 Chromate-Plated Zinc-Cast Housing

Band Separator-Combiners

3/8" Precision Machined F-Connector Threads
 Epoxy Sealed Back Cover
 Yellow Chromate-Plated Zinc-Alloy Cast Housing
 Filters and mixes VHF and UHF signals, allowing mixing of multiple antennas onto single cable
 Reduces harmonics and out-of-band interference
 DC Power Passing All Ports
 Insertion Loss 0.5dB max.
 Port-Port Isolation 20dB min.
 Input Return Loss 25-30dB min.



201-602



201-604

201-602 VHF Band High-Low Separator-Combiner
 Separates and isolates or combines VHF low (54-108MHz) from VHF high (175-216MHz) signals for clean insertion into amplifiers

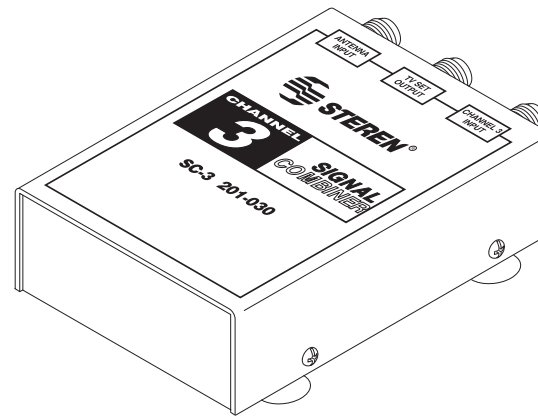
201-604 UHF-VHF Bands Separator-Combiner
 Separates and isolates or combines VHF (54-216MHz) from UHF (407-809MHz) signals for clean insertion into amplifiers

Signal Combiners

Cost-Effective High-Quality Signal Combiners
 Used with multiple TV sets for decoded programming
 Precision-tuned 6-stage bandpass-bandstop filters provide 6MHz carrier-free environment for locally originated channel insertion
 High Skirt Selectivity – Sharp Frequency Cut Off
 Easy Balancing Adjustment Tuning
 High Unwanted Signal Attenuation
 Rejection Depth >25dB – Insertion Loss 3dB
 Adjacent Channel Loss 5.5dB
 Adjustable Balancing Attenuators
 F-Type Connectors
 Dimensions 3 3/8"(W) x 3 3/4"(H) x 1 1/8"(D)

201-030 Channel 3 Signal Combiner

201-040 Channel 4 Signal Combiner



201-030 Channel-3

201-040 Channel-4