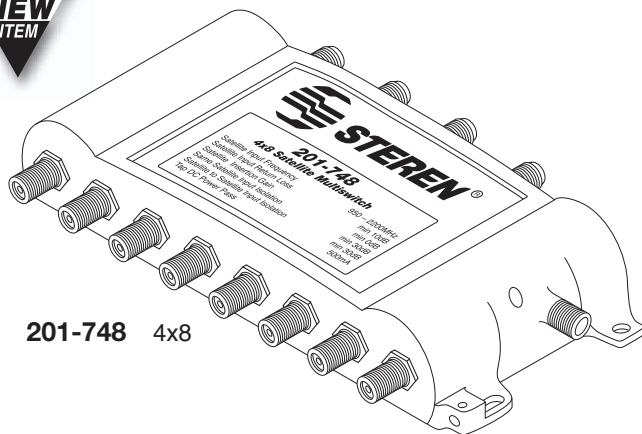
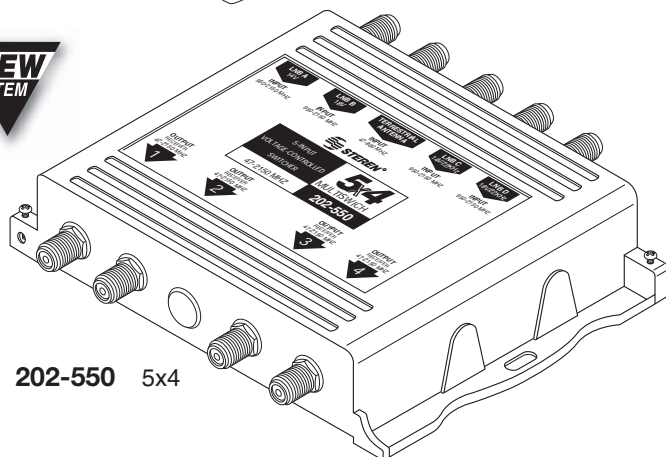


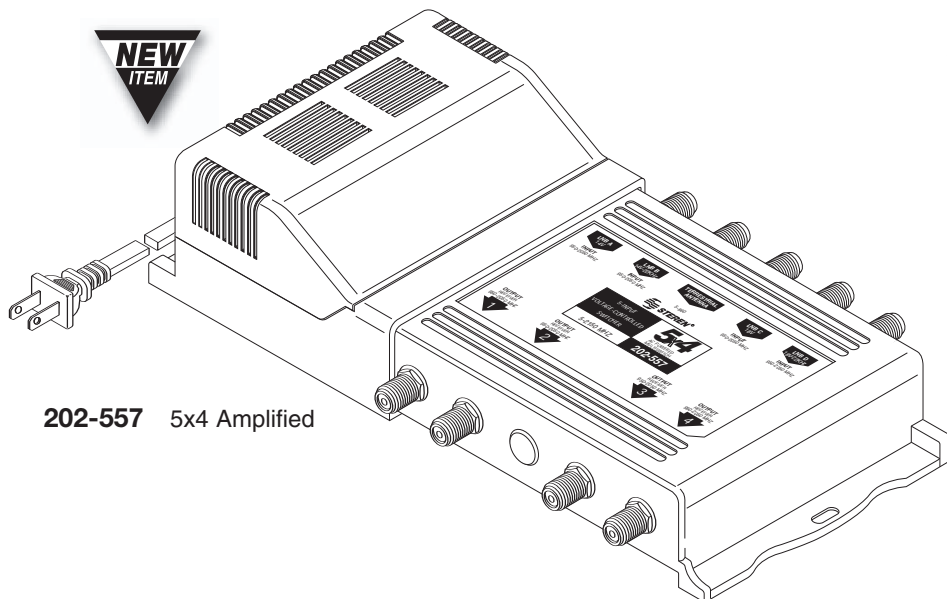
201-744 4x4



201-748 4x8



202-550 5x4



202-557 5x4 Amplified

22kHz Satellite Multiswitches

22kHz Heavy-Duty Multi-LNB Multiswitches
 Designed for Residential and Commercial Applications
 Suitable for HDTV and DirecTV-Para-Todos Feeds
 Multiswitch allows independent operation of multiple satellite receivers using a single dish
 Combines up to 4 satellite LNB inputs and 1 off-air TV antenna input to any satellite receiver
 Routes any LNB input to any output using 13-14V vertical or 17-18V horizontal polarities and 0-22kHz set at the receiver
 SMD Multiple-Layered Printed Circuit Board Design
 High-Performance Pin-Diode Signal Switching
 Heavy-Duty Cast Aluminum Housing
 Precision Machined F-Connector Threads
 Terrestrial Ports Frequency 5-862MHz
 Satellite Port Frequency 950-2200MHz – 75Ω Imped.
 Supplied with Protective F-Port Plastic Caps

NEW ▶ 201-744 4x4 Dish Mount Satellite Multiswitch
 Insertion Loss 5dB
 Isolation 30dB – Return Loss 9dB
 6”(W) x 2½”(H) x 1”(D)

NEW ▶ 201-748 4x8 Satellite Multiswitch
 22kHz Tone Output Suitable for DirecTV Phase III System
 Insertion Gain 0dB min.
 Isolation 30dB – Return Loss 10dB
 DC Current Consumption 30mA
 Current Pass 500mA max.
 7½”(W) x 3¼”(H) x 1⅜”(D)

NEW ▶ 202-550 5x4 Satellite Multiswitch
 Isolation 40dB – Return Loss 10dB
 Insertion Loss: 10dB Sat, 16dB Terr
 Rejection: 20dB Sat, 30dB Terr
 DC Current Consumption 60mA
 Current Pass 500mA max.
 5⅞”(W) x 4½”(H) x 1¼”(D)

NEW ▶ 202-557 5x4 Amplified Satellite Multiswitch
 Isolation 40dB – Return Loss 10dB
 Insertion Loss 3dB max.
 Noise Figure: 8dB Sat, 6dB Terr
 Rejection: 20dB Sat, 30dB Terr
 Sat Output Level 100dBμV @35dB IMA₃
 Terr Output Level 100dBμV @60dB IMA₃
 Power Consumption 26W
 Current Pass 700mA max.
 22kHz generated internally:
 5mVpp@18VDC – 10mVpp@13VDC
 9⅝”(W) x 4½”(H) x 1¼”(D)