

Modular-Plug Crimp Tools

Crimp Tools for Flat/Round-Stranded Modular Plugs
Built-In Cutting or Cutting-Stripping Blades
Plastic or Hardened Steel Construction – UL Listed
Comfortable Grip Handles for Reduced Hand Fatigue

300-504 Economy Tool for Handset, RJ11 Plugs
Suitable for 4x4 and 6x4 Plugs
Built-In Cutting-Stripping Blade
Plastic Handles – Weight 3.2oz
Dimensions 3³/₄"(W) x 7³/₄"(H) x 5⁵/₁₆"(D)

300-508 Economy Tool for Handset, RJ11, RJ45
Suitable for 4x4, 6x4, 8x8 Plugs
Built-In Stripping Blade
Plastic Handles – Weight 6.4oz
Dimensions 4¹/₄"(W) x 7¹/₂"(H) x 1"(D)

300-550 Crimp Tool for 10x10 Modular Plugs
Hardened Steel – Black-Oxide Finish
Built-In Cutting-Stripping Blades
Black Grip Handles – Weight 9.6oz
Dimensions 2¹/₂"(W) x 8"(H) x 3¹/₄"(D)

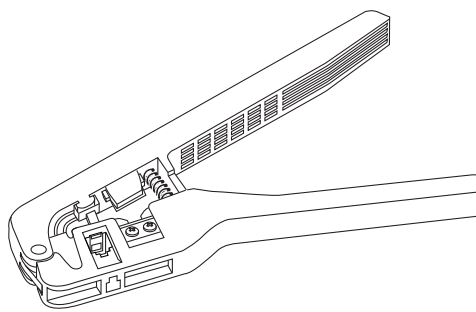
300-552 Crimp Tool for Handset Plugs
Suitable for 4x4 Plugs
Hardened Steel – Black-Oxide Finish
Built-In Cutting-Stripping Blades
Blue Grip Handles – Weight 6.4oz
Dimensions 2³/₄"(W) x 7¹/₂"(H) x 3¹/₄"(D)

300-555 Crimp Tool for RJ11 and RJ12 Plugs
Suitable for 6x4 and 6x6 Plugs
Hardened Steel – Black-Oxide Finish
Built-In Cutting-Stripping Blades
Blue Grip Handles – Weight 6.4oz
Dimensions 2¹/₂"(W) x 7¹/₂"(H) x 5⁵/₁₆"(D)

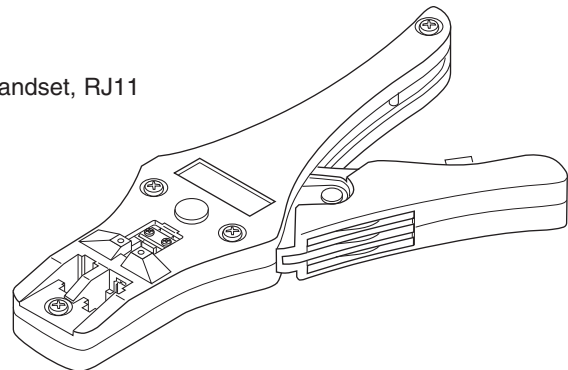
300-558 Crimp Tool for RJ45 Plugs
Suitable for 8x8 Plugs
Hardened Steel – Black-Oxide Finish
Built-In Cutting-Stripping Blades
Black Grip Handles – Weight 9.6oz
Dimensions 2¹/₂"(W) x 8"(H) x 1"(D)

300-568 Crimp Tool for RJ11, RJ12 and RJ45
Suitable for 6x4, 6x6 and 8x8 Plugs
Hardened Steel–Black-Oxide Finish
Built-In Cutting-Stripping Blades
Blue Grip Handles – Weight 6.4oz
Dimensions 3"(W) x 7¹/₂"(H) x 1"(D)

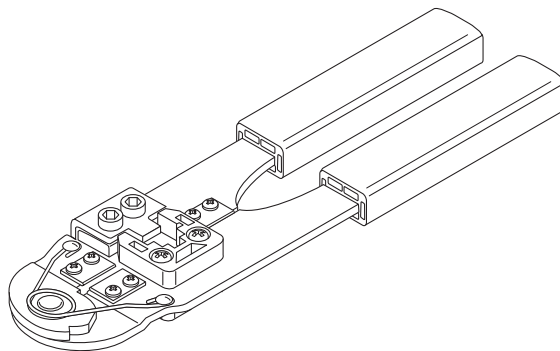
300-570 Professional Tool for RJ11, RJ12, RJ45
Suitable for 6x4, 6x6 and 8x8 Plugs
Hardened Steel – Black-Oxide Finish
Built-In Cutting-Stripping Blades
Black Grip Handles – Weight 16oz
Dimensions 3"(W) x 7¹/₂"(H) x 1"(D)



300-504 4x4/6x4-Die Handset, RJ11



300-508 6x4/8x8-Die RJ11, RJ45

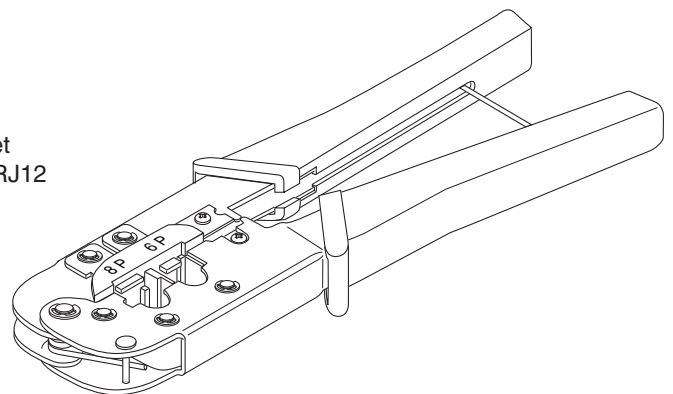


300-550 10x10-Die

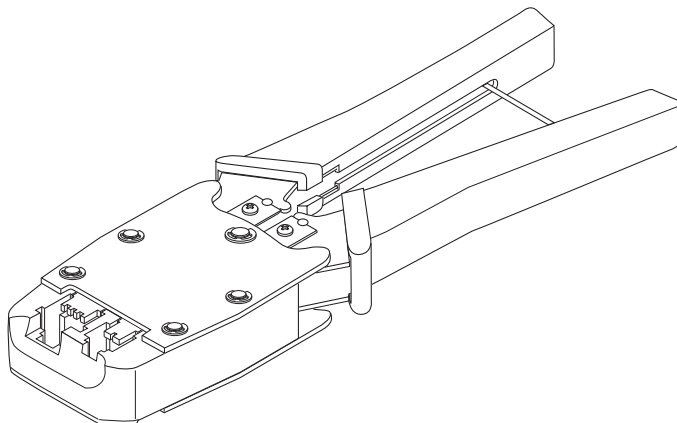
300-552 4x4-Die Handset

300-555 6x6-Die RJ11, RJ12

300-558 8x8-Die RJ45



300-568 6x6/8x8-Die RJ11, RJ12, RJ45



300-570 6x6/8x8-Die RJ11, RJ12, RJ45