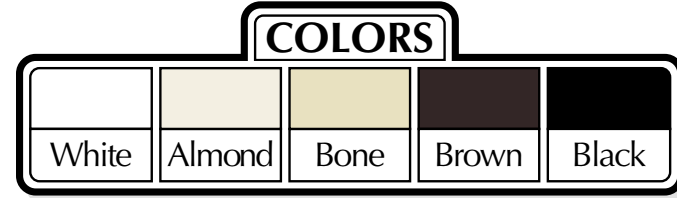


Volume Controls

In-wall volume controls allow personalization for room ambiance, and are available in a variety of colors and finishes to accommodate any decor. All Russound volume controls have a high-quality autoformer design which provides long life, excellent frequency response, no heat build-up and maximum power transfer from the amplifier to the speakers. They're easy to use and blend unobtrusively into virtually any room.

Because we precision-wind every autoformer used in every volume control, we can state with confidence that you are receiving a product that combines accuracy, flexibility, minimal insertion loss, low noise and low distortion! We are so sure of the quality that goes into our volume controls that we offer a limited lifetime warranty!



"With the [Russound] ALT Controls, the company obviously took a lot of pride in designing and producing a superior product, regardless of its relative simplicity. Wherever your customers require remote volume control, you can install these with confidence. They are entirely consistent with a high-quality system in all ways – aesthetically, functionally, and in terms of warranted reliability."

– Michael McCook, Pro Audio Review, Dec. '98

ALTx Volume Controls

The ALTx is our premium stereo volume control without the premium price. The ALTx can be used as a standard or impedance-matching control. Its high power handling, compact size, easy-grip connectors and superior performance make the ALTx the clear choice for quality installations. Available with Decora® and standard faceplates in white, bone, almond, brown and black. Also available in bulk pack of 12 units.



Features and Technical Information:

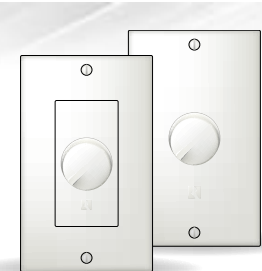
- Power rating/channel:
126 watts power handling
42 watts RMS, continuous
- Regular and UltraMatch™ autoformers. Installer configurable to 1X, 2X, 4X, or 8X impedance matching
- QCT - Quick Connect terminals accept up to 12-gauge wire.
- Attenuation: 12 steps including "off"
- total attenuation of 43 dB.
- Stereo models only.
- Can be used with any combination of 4Ω to 8Ω speakers and amplifiers.
- Frequency response: 20 - 20kHz, +1/-0.5 dB at rated power.
- Stylish indicator knobs.
- Plastic wall plates.
- Mounting: fits most single-gang junction boxes.
- 1½" W x 2½" H x 2½" D (4.1 x 6.6 x 6.4 cm)
- 1 lb (0.4 kg)

ALTx models available:

- ALTx-1 Without wall plate and knob
- ALTx-2 With standard wall plate and knob
- ALTx-2D With Decora® insert, cover plate and knob

LPTx Volume Controls

The LPTx is an ideal solution for smaller or price-sensitive installations. With fewer features than the ALTx, the LPTx can be used as a standard or impedance-matching control. You can install the LPTx with confidence that you have a rugged control with great sound without blowing the budget.



Technical Information:

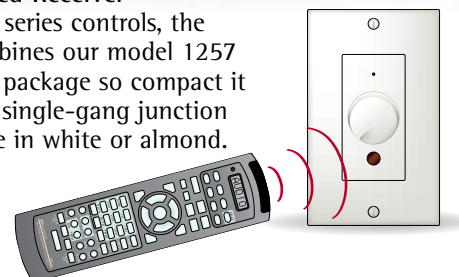
- Power rating/channel:
75 watts power handling
25 watts RMS, continuous
- Standard and Decora® plates available
- Stylish indicator knobs.
- Plastic cover plates.
- Accepts up to 14-gauge wire.
- Attenuation: 12 steps including "off"
- total attenuation of 43 dB.
- White, Bone, and Almond only.
- QCT - Quick Connect terminals.
- Stereo models only.
- Can be used with either 4Ωs or 8Ω speakers
- Mounting: fits most single-gang junction boxes.
- 1½" W x 2¾" H x 2¼" D (4.1 x 6.6 x 6.4 cm)
- 1 lb (0.4 kg)

LPT models available:

- LPTx-2 With standard wall plate and knob
- LPTx-2D With Decora® insert, cover plate and knob

ALTx-WIR 2D Wall-Mount Stereo Volume Control with Built-In Infrared Receiver

Based on ALTx series controls, the ALTx-WIR combines our model 1257 IR receiver in a package so compact it will fit in most single-gang junction boxes. Available in white or almond.



70-Volt Industrial Monaural Volume Controls

- Commercial or Industrial Applications
- Power rating/channel:
25 watts RMS, continuous
- Attenuation: 12 steps including "Off"
- Total attenuation: 24dB
- Mounting: fits most single gang junction boxes
- Available only in Master Pack of 6

WALTx-2 Weatherproof Volume Control

Perfect for a variety of outdoor situations.

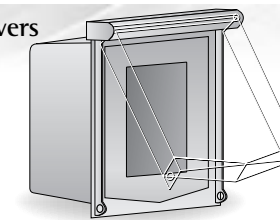
Features and Technical Information:

- Power rating/channel:
126 watts power handling
42 watts RMS, continuous
- Regular or UltraMatch™ autoformers. Installer configurable to 1X, 2X, 4X, or 8X impedance matching
- Stylish indicator knob.
- Plastic weatherproof enclosure includes gray single-gang outdoor junction box.
- QCT-Quick Connect terminals accept up to 12-gauge wire.
- Attenuation: 12 steps including "off" - total attenuation of 43 dB.
- Stereo model only.
- Frequency response: 20 - 20kHz, +1/-0.5 dB at rated power.
- 3¾" W x 5" H x 3¾" D (9.8 x 12.7 x 9.5 cm)
- 1.5 lb (0.7 kg)



Thermoplastic Weatherproof Covers

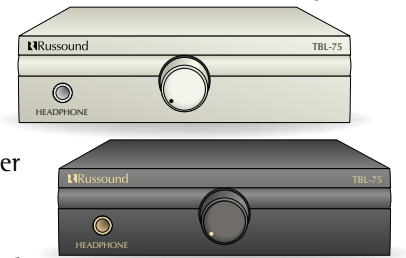
These covers are designed to protect Decora® volume controls or connectors from water and moisture when used in outdoor locations. Conform to UL Standard 514.



- WPB 37-03 Horizontal self-closing cover with 3/32" gasket and 2 mounting screws. Mounts to single-gang box.
- WPB 37-03FS Same as above except mounts to flat surface with 4 screws.
- WPB 37-23 Vertical self-closing cover with 3/8" gasket and 2 mounting screws. Mounts to single-gang box
- WPB 37-23FS Same as above except mounts to flat surface with 4 screws.

TBL-75 Free-Standing (Table Top) Volume Control

This is a separate (and practical) volume control which operates independently of other volume controls in the system. Installer configurable to 1X, 2X, 4X, or 8X impedance matching. Features built-in headphone jack with automatic shut-off of speaker output.

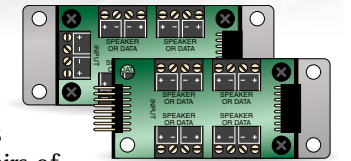


Technical Information:

- PowerRating/channel:
126 watts power handling
42 watts RMS, continuous
- Spring loaded terminals accept up to 12 gauge wire.
- Works with all speakers rated 4 Ohms or above.
- Use with 4 Ohm or 8 Ohm amplifiers.
- Independent channel grounds allow safe connection to all amplifiers (including bridged or floating ground).
- Available in black or champagne
- Limited lifetime warranty
- 6½" W x 1¾" H x 5" D (15.6 x 4.5 x 12.7 cm)
- 2 lb. (0.9 kg.)

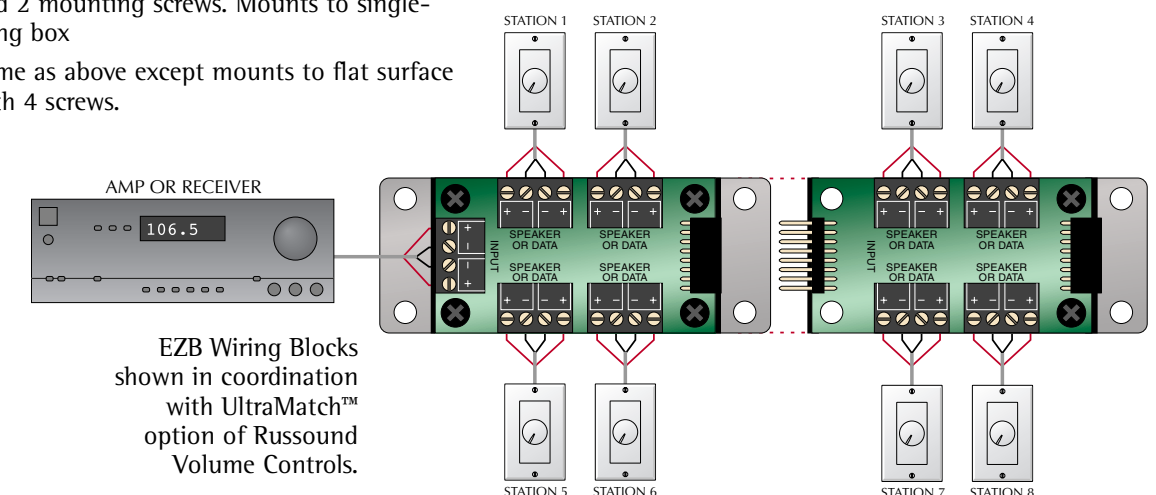
EZB-1 EZ-Block and EZB-2 EZ-Block

These units are used to connect multiple UltraMatch™ volume controls to a single amplifier (a "home run" configuration). Both models have connections for four pairs of speakers. EZB-1 connects directly to amplifier outputs; EZB-2 attaches to an EZB-1, thus providing outputs for an additional four volume controls. E-Z Blocks can be "cascaded" to control a total of 16 volume controls.



Technical Information

- Power Rating:
300 watts power handling
150 watts RMS, continuous
- Removable screw type connectors accept up to 14 gauge wire.
- EZB-1: 4¼" L x 1¾" W x ¾" H (10.8 x 4.5 x 1.9 cm), 1 lb. (0.4 kg.)
- EZB-2: 3½" x 1¾" W x ¾" H (9.2 x 4.5 x 1.9 cm), 1 lb. (0.4 kg.)



EZB Wiring Blocks shown in coordination with UltraMatch™ of Russound Volume Controls.



Volume Controls

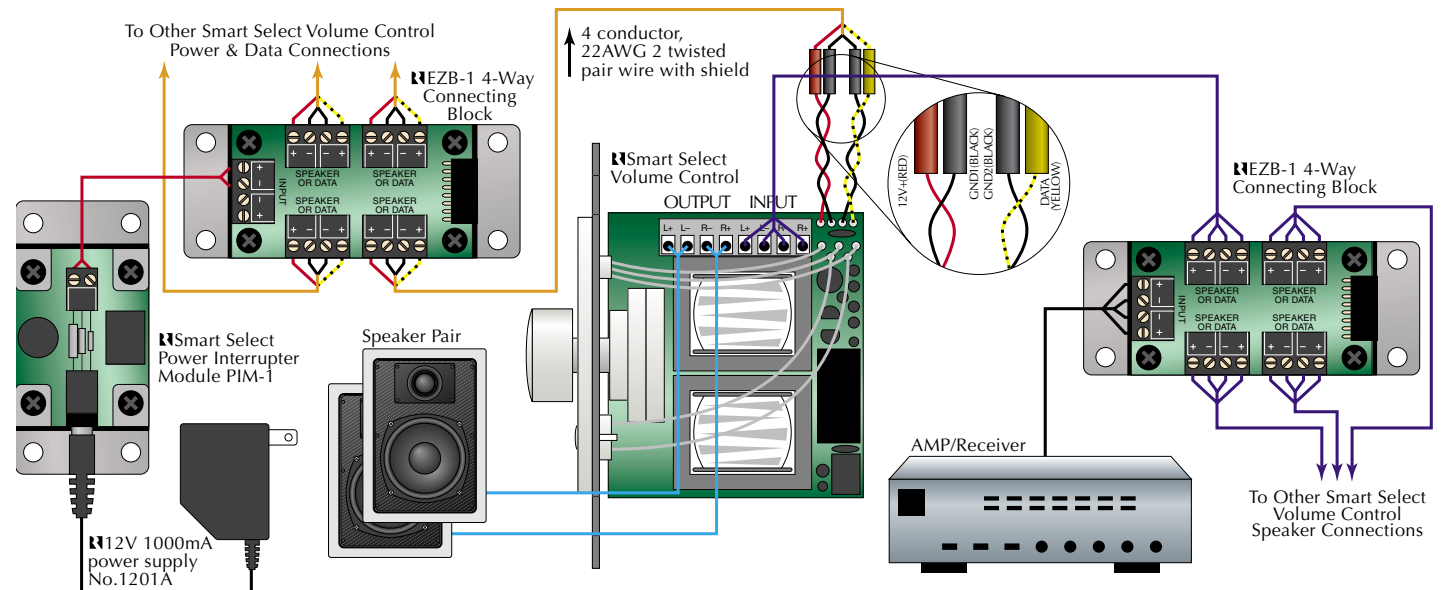


Smart Select Volume Control System

The award-winning Russound Smart Select Volume Controls incorporate all the quality and versatility of our highest-fidelity UltraMatch™ volume controls and have the unique intelligence of a multi-room distribution system. When you turn the system on, all zones are muted. The Smart Select's intelligent circuitry allows you to turn one zone on or off at a time and also communicates between other SSSVC volume controls giving each room the ability to turn all rooms on or off using one simple button. Russound's SSSVC control device not only functions as an independent room controller but also as an impedance-matching volume control. Each control uses our patented Ultra-Match technology to control amplifier impedance and to insure safe operation of multiple speakers using a single amplifier / receiver.

Technical Information:

- Simple one-button operation enables SSSVC to turn on/off all rooms from one location
- Indicator light shows status of the room and the system.
- Eliminates the need for a speaker selector.
- UltraMatch™ Impedance Matching
- Accepts up to 12-gauge wire.
- Attenuation: 12 steps including "off" - total attenuation of 43 dB.
- Can be used with any combination of 4Ω to 8Ω speakers and amplifiers.
- Frequency response: 20 - 20kHz, +1/-0.5 dB at rated power.
- Power rating/channel:
 - 126 watts power handling
 - 42 watts RMS, continuous
- Stylish indicator knobs.
- Plastic wall plates.
- Mounting: fits most single-gang junction boxes.
- Weight: 1lb. (.5kg)
- Dimensions: 1 5/16"W x 2 5/8"D x 2 3/4"H (3.3 x 6.7 x 7.0 cm)



Russound Impedance Matching For 8 Ohm Amplifiers
A/V DISTRIBUTION & CONTROL SYSTEMS

		8 Ohm Pairs								
		0	1	2	3	4	5	6	7	8
4 Ohm Pairs	0	-	2X	2X	4X	4X	8X	8X	8X	8X
	1	2X	4X	4X	8X	8X	8X	8X	8X	8X
	2	4X	8X	8X	8X	8X	8X	8X	8X	8X
	3	8X	8X	8X	8X	8X	8X	8X	8X	8X
	4	8X	8X	8X	8X	8X	8X	8X	8X	8X

Example shown: For 4-pair of 8 Ohm speakers and 2-pair of 4 Ohm speakers. The jumper setting would be for 8X.

Use 1X setting with impedance matching speaker selectors

Russound Impedance Matching For 4 Ohm Amplifiers
A/V DISTRIBUTION & CONTROL SYSTEMS

5 Forbes Road, Newmarket, NH 03857, USA
603.659.5170 fax.603.659.5388
www.russound.com

Russound Impedance Matching For 4 Ohm Amplifiers
A/V DISTRIBUTION & CONTROL SYSTEMS

		8 Ohm Pairs																
		0	1	2	3	4	5	6	7	8	9	10	11	12	13	14	15	16
4 Ohm Pairs	0	-	2X	2X	2X	2X	4X	4X	4X	4X	8X	8X	8X	8X	8X	8X	8X	8X
	1	2X	2X	2X	4X	4X	4X	4X	8X	8X	8X	8X	8X	8X	8X	8X	8X	8X
	2	2X	4X	4X	4X	4X	8X	8X	8X	8X	8X	8X	8X	8X	8X	8X	8X	8X
	3	4X	4X	4X	8X	8X	8X	8X	8X	8X	8X	8X	8X	8X	8X	8X	8X	8X
	4	4X	8X	8X	8X	8X	8X	8X	8X	8X	8X	8X	8X	8X	8X	8X	8X	8X
	5	8X	8X	8X	8X	8X	8X	8X	8X	8X	8X	8X	8X	8X	8X	8X	8X	8X
	6	8X	8X	8X	8X	8X	8X	8X	8X	8X	8X	8X	8X	8X	8X	8X	8X	8X
	7	8X	8X	8X	8X	8X	8X	8X	8X	8X	8X	8X	8X	8X	8X	8X	8X	8X
	8	8X	8X	8X	8X	8X	8X	8X	8X	8X	8X	8X	8X	8X	8X	8X	8X	8X

Example shown: For 4-pair of 8 Ohm speakers and 0-pair of 4 Ohm speakers. The jumper setting would be for 2X.