

7800 SERIES Relay Modules

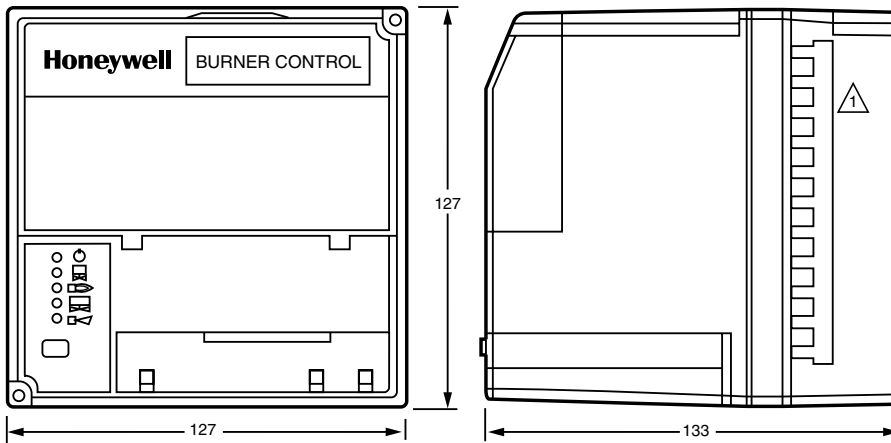
EC7810; EC7820 Primary Control Meeting European Community Timings



Microprocessor-based integrated burner control for automatically fired gas, oil, or combination fuel single burner atmospheric with fan applications. Provides automatic burner sequencing, flame supervision, system status indication, system or self-diagnostics, and troubleshooting.

- Access for external electrical voltage checks.
- Application flexibility and communication interface capability.
- Four LEDs provide sequence information.
- Five function Run/Test Switch.
- Interchangeable plug-in amplifiers.
- Local or remote annunciation of operation and fault information (optional).
- Non-volatile memory retains history files and lockout status after loss of power.
- Compatible with existing Honeywell flame detectors.

Dimension Diagrams



⚠ REMOVE ONLY FOR TERMINAL TEST ACCESS.

M12821

Preignition: Yes
PostPurge: 5 sec
Ambient Temperature Rating: -40 F to 140 F (-40 C to 60 C)
PrePurge: Determined by ST7800 Purge Timer Card
Vibration: 0.5 G environment
Weight (lb): 1 lb 10 oz (0.7kg)
European Directives: Complies with Gas Appliance Directive (90/269/EEC). Low Voltage Directive (73/23/EEC). EMC Directive (89/336/EEC).

Approvals:
Factory Mutual: Approved: Report No. J.I.OY0A9.AF.
Gastec/European: GASTEC: CE-63AP3070/1, Approved to EN298.
Industrial Risk Insurers: IRI Acceptable.
Required Components: Q7800A,B Universal Wiring Subbases. R7847, R7848, R7849, R7851, R7861, or R7886 Flame Signal Amplifier. ST7800 Plug-in Purge Timer Card.

Product Number	AirFlow Check	Electrical Ratings, Power Supply (Vac)	Electrical Ratings, Power Supply (Hz)	Flame Establishing Period		Interlocks	Pilot Type	Second Stage Pilot Valve	Comments
				Main	Pilot				
EC7810A1027	—	220-240 Vac (+10/-15%)	50/60 Hz (±10%)	5 sec or 8 sec or intermittent	5 sec or 10 sec	Lockout	interrupted	Intermittent	1 ignition attempt, Includes Modulation
EC7810A1035	—	220-240 Vac (+10/-15%)	50/60 Hz (±10%)	5 sec or 8 sec or intermittent	5 sec or 10 sec	Lockout	interrupted	Intermittent	5 ignition attempts, Includes Modulation
EC7820A1026	selectable	220-240 Vac (+10/-15%)	50/60 Hz (±10%)	5 sec or 8 sec or intermittent	5 sec or 10 sec	Lockout	interrupted	Intermittent	1 ignition attempt, Includes Modulation
EC7820A1034	selectable	220-240 Vac (+10/-15%)	50/60 Hz (±10%)	5 sec or 8 sec or intermittent	5 sec or 10 sec	Lockout	interrupted	Intermittent	5 ignition attempts, Includes Modulation