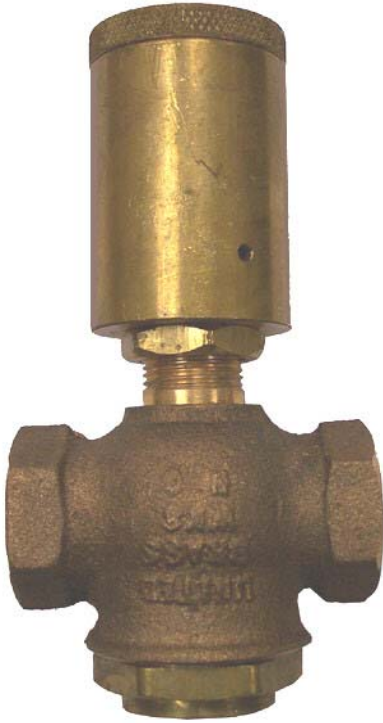




UNITED BRASS WORKS, INC.

714 S. Main St., Randleman, NC 27317

Tel: 800-334-3035 Fax: 800-498-4696 www.ubw.com



Model VC25WT Pneumatic Whistle Valve

125WSP @ 350° Max

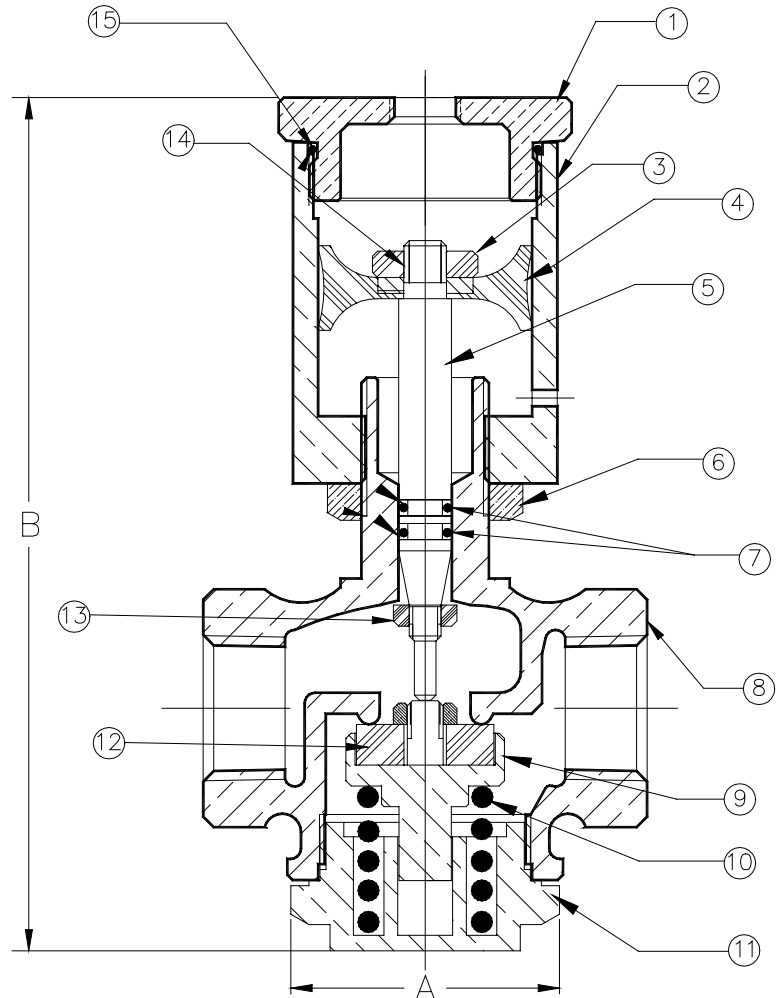
200 WOG

100% Pressure Tested

Threaded Ends

PTFE Disc • Integral Seat

** Minimum Air Pressure Requirement - 80PSI.*



MATERIAL LIST

NO.	DESCRIPTION	MATERIAL
1	Cap	Brass
2	Cylinder	Brass
3	Nut	Brass
4	Piston Cup	Silicon
5	Stem	Stainless Steel
6	Lock Nut	Brass
7	O-Ring	FKM (Viton)
8	Body	Bronze
9	Disc Holder	Brass
10	Spring	Stainless Steel
11	Cap	Brass
12	Disc	PTFE
13	Nut	Steel
14	Nut	Steel
15	O-Ring	BUNA

	A	B	Qty. Per Ctn.
VC25WT 1/2"	2.69	4.00	5