

Application: Gas fired burners
Oil fired burners
Type: Ultraviolet, Adjustable Sensitivity
Dimensions, Approximate: 4 in. high, 4 in. wide, 10 1/4 in. deep
(102 mm high, 102 mm wide, 261 mm deep)
Electrical Ratings: 120 Vac
Frequency: 60 Hz
Ambient Temperature Ratings: -40 F to 160 F (-40 C to 71 C)

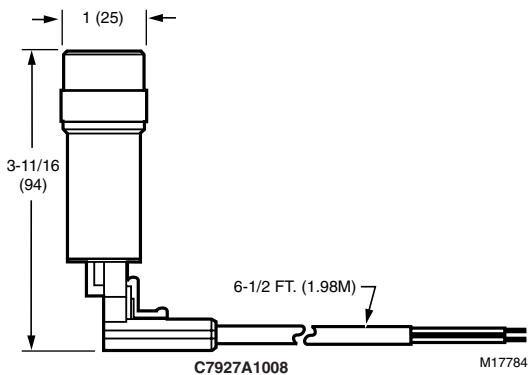
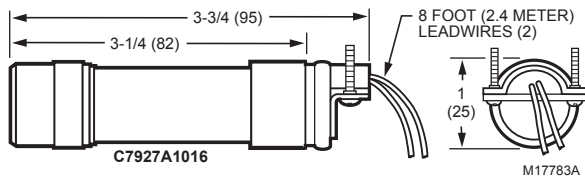
Vibration Rating: 0.5g max
Approvals:
Canadian Standards Association: Certified: Master Report LR1620
Factory Mutual: Approved: Report No. FM26980
Industrial Risk Insurers: Acceptable
Underwriters Laboratories, Inc: Listed: File No. MP268, Guide No. MCCZ

Product Number	Electrical Connections	Mounting Method	NEMA Rating	Comments	Used With
C7076A1007	Terminal block	1 in. NPT	NEMA 4	Dynamic self-checking flame detector with adjustable sensitivity	Flame Amplifiers: R7476, R7886
C7076A1015	Terminal block	1 in. NPT	NEMA 4	Dynamic self-checking flame detector with adjustable sensitivity	Flame Amplifiers: R7476, R7886
C7076A1031	Terminal block	1 in. NPT	NEMA 4	Dynamic self-checking flame detector with adjustable sensitivity	Flame Amplifiers: R7476, R7886
C7076D1027	Terminal block	1 in. NPT	NEMA 7	Dynamic self-checking flame detector with adjustable sensitivity	Flame Amplifiers: R7476, R7886
C7076D1043	Terminal block	1 in. NPT	NEMA 7	Dynamic self-checking flame detector with adjustable sensitivity	Flame Amplifiers: R7476, R7886

C7927 Solid State Ultraviolet Flame Detector



Dimension Diagrams



The Solid State Ultraviolet Flame Detectors detect the ultraviolet radiation emitted by combustion flames. The flame detectors are used with Honeywell flame safeguard controls to provide flame supervision for gas, oil, or combination gas-oil burners.

- Properly installed the flame detectors are pressure rated for 5 psi.
- Flame detector is used with only the R7851B Flame Amplifier and the 7800 SERIES controls.
- Has an integral collar threaded (internal 1/2-14 NPSM) for mounting on a one-half inch sight pipe.

Application: Gas, Oil, or combination burners-intermittent operation only (burner cycled at least once each 24 hours).

Type: Ultraviolet, Minipeeper

Dimensions, Approximate: 1 in. diameter, 3 3/4 in. long (25 mm diameter, 95 mm long)

Ambient Temperature Ratings: -4 F to +140 F (-20 C to 60 C)

Vibration Rating: 0.5g max

Approvals:

Canadian Standards Association: Pending

Factory Mutual: Pending

Industrial Risk Insurers: Pending

Underwriters Laboratories, Inc: Component Recognized: File No. MP268

Product Number	Electrical Connections	Lead Lengths		Mounting Method	NEMA Rating	Description	Comments	Used With
		(inch)	(mm)					
C7927A1008	77 in cable	77 inch with cable & Connector	195.6 cm with cable & Connector	1/2 in NPT pipe mounting	NEMA 1	Electronic flame detectors that detect ultraviolet radiation in flames.	Detects ultraviolet radiation in flames	Flame Amplifiers: R7851B
C7927A1016	8 ft leadwires	8 ft.	2.4 m	1/2 in NPT pipe mounting	NEMA 1	Electronic flame detectors that detect ultraviolet radiation in flames.	Detects ultraviolet radiation in flames	Flame Amplifiers: R7851B