



UNITED BRASS WORKS, INC.

714 S. Main St., Randleman, NC 27317

Tel: 800-334-3035 Fax: 800-498-4696 www.ubw.com



Model 78 Needle Valve

250 WOG @ 180 ° Max

100% Pressure Tested

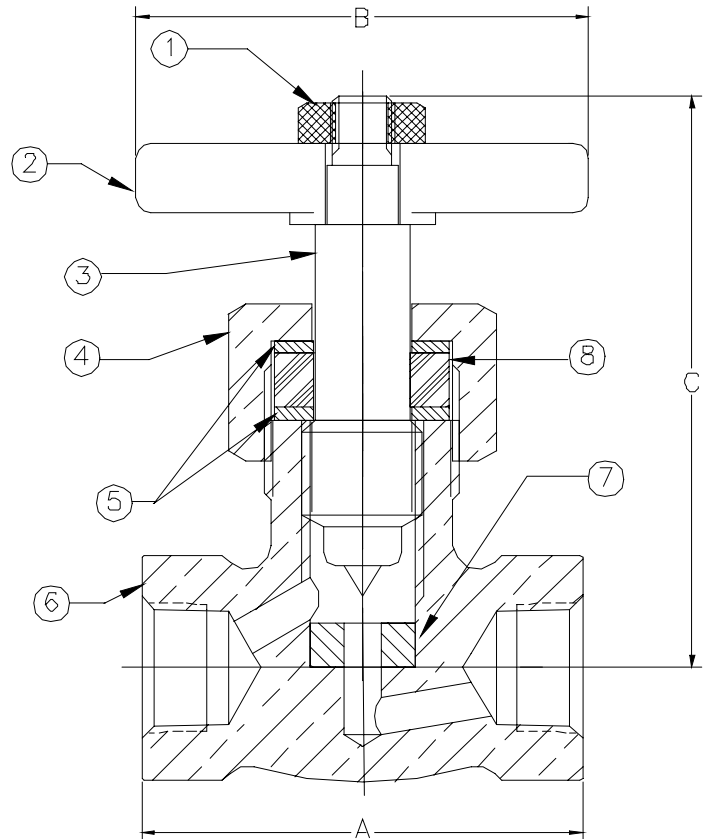
Threaded Ends

Rising Stem

** Extra Heavy Duty Construction **

MATERIAL LIST

NO.	DESCRIPTION	MATERIAL
1	Hex Nut	Steel
2	Handle	Bronze
3	Stem	Brass
4	Packing Nut	Brass
5	Washer	Brass
6	Body	Bronze
7	Seat	PTFE
8	Packing	NAFG



Size	A	B	C Closed	C Open
A	2.25	2.31	2.69	2.94