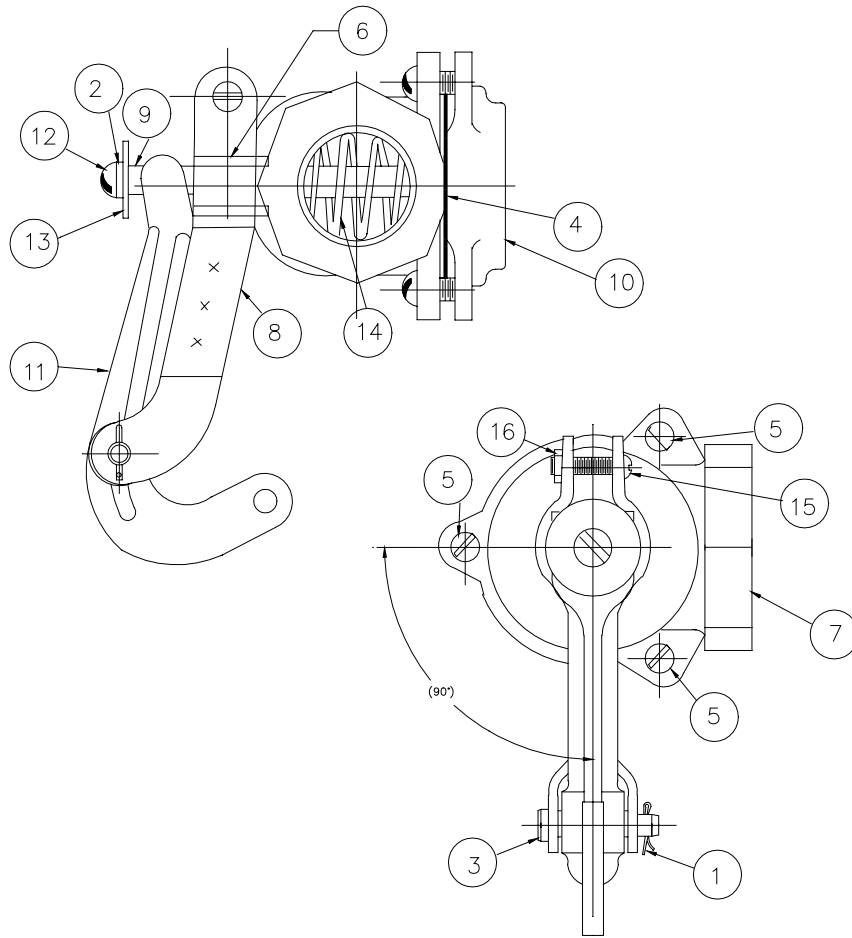




UNITED BRASS WORKS, INC.
 714 S. Main St., Randleman, NC 27317
 Tel: 800-334-3035 Fax: 800-498-4696 www.ubw.com



Model V160 Air Vacuum Valve



MATERIAL LIST

NO.	DESCRIPTION	QTY.
1	4052 – Cotter Pin	1
2	R132 – Lock Washer	1
3	V111 – Fulcrum Pin	1
4	V155 – Gasket	1
5	V156 – ½ - 20 Machine Screw	3
6	V162B – Bushing	1
7	V162A – Body	1
8	V163 – Fulcrum	1

NO.	DESCRIPTION	QTY.
9	V164B – Stem & Disc Assembly	1
10	V166 – Valve Seat Coupling	1
11	V167 – Curved Lever	1
12	V170 – ¼ x ½ Machine Screw	1
13	V172 – Washer	1
14	V173 – Spring	1
15	V175 – 10-24 x ¾ Screw	1
16	V176 – 10-24 Nut	1