

TC-8 Tank Alarm Panel

Description

The Simplex Tank Commander TC-8 Tank Alarm Panel is used to monitor High Level, Low Level, and Tank Leak Alarms. The TC-8 provides both audio and visual indication. Relay dry contacts are provided for remote alarms. The TC-8 receives signals from float switches mounted on the tank. The float switches may be included as an option or provided by others.

The TC-8 is available in 120VAC and 24VDC voltages. The TC-8 is for use with fuel oil or other Class II liquids or non-flammable liquids or chemicals. The TC-8 carries a UL 508A Label.

Includes

- NEMA-3R rainproof, lockable enclosure with hinged door
- UL 508A Label
- Red alarm light; high level
- Red alarm light; low level
- Red alarm light; tank leak
- 90dB audible alarm horn with silence pushbutton
- Press-to-test pushbutton
- Indicators for
 - Tank leak (external input)
 - High level alarm (external input)
 - Low level alarm (external input)
- Level sensors, optional



Specifications

Power supply:

115VAC, 1 ϕ , 60 Hz
or 24VDC

Application:

Fuel oil or other Class II liquids
or non-flammable liquids
or chemicals

Alarm contacts:

3A @125/250VAC, 30VDC



Tank High/Low
Level Sensor

Tank Leak
Sensor

SIMPLX[®]

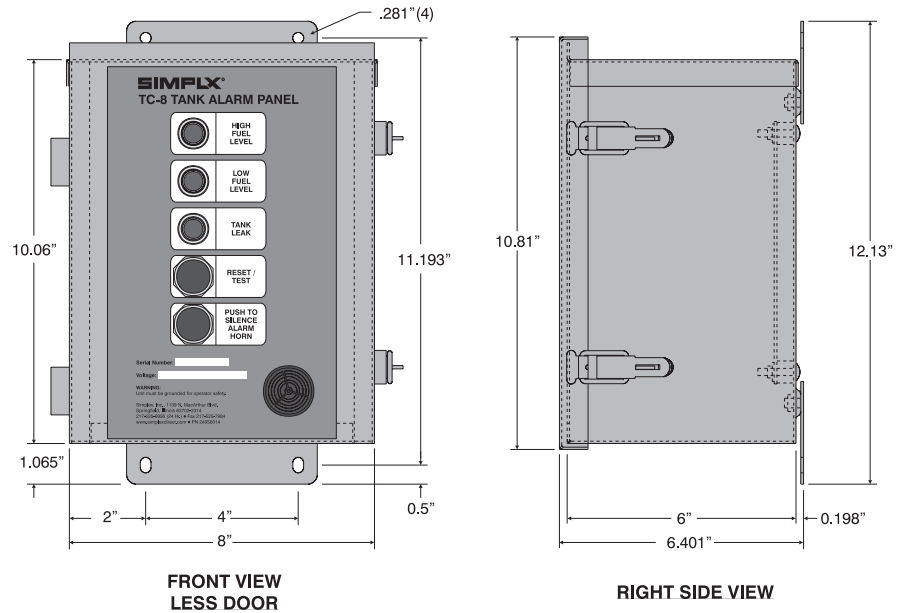
SIMPLX[®]

TC-8 Tank Alarm Panel

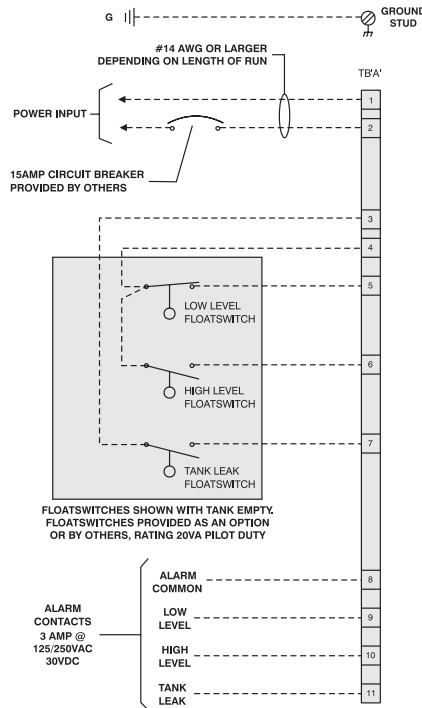
Dimensions and Key Features



Dimensions



Connections



NOTE:
 1. UNIT MUST BE GROUNDED FOR OPERATORS SAFETY
 2. - - - - INDICATES WIRING BY OTHERS