



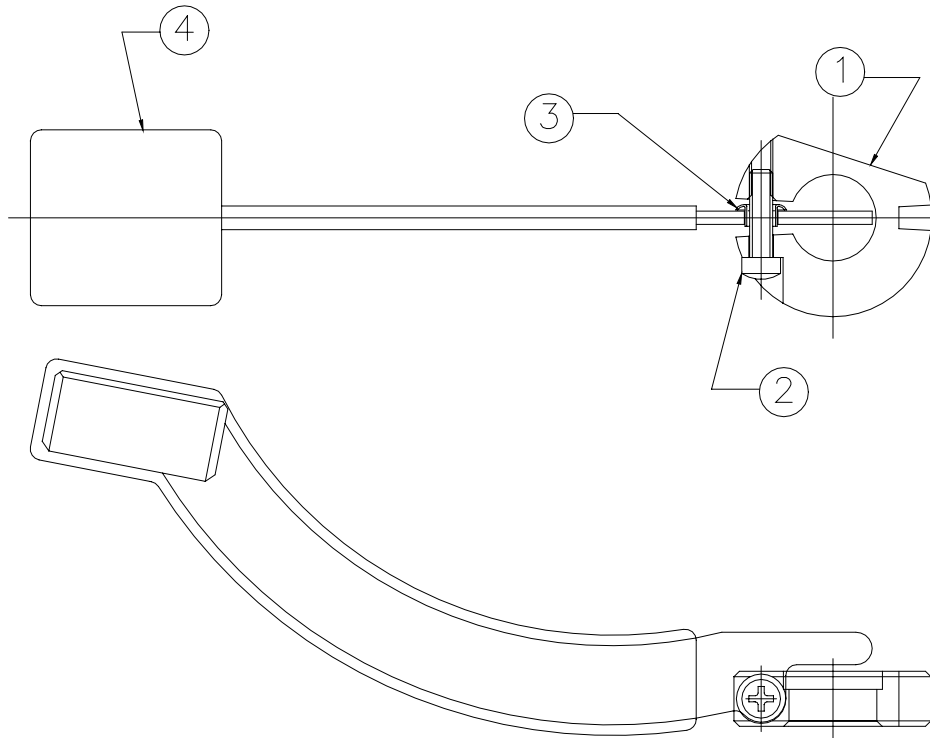
UNITED BRASS WORKS, INC.
714 S. Main St., Randleman, NC 27317
Tel: 800-334-3035 Fax: 800-498-4696 www.ubw.com



Model 4991C

Yoke and Lever Assembly (Cissell)

(For use with Model 4996 Steam Iron Valve)



MATERIAL LIST

NO.	DESCRIPTION	QTY.
1	4990C – Yoke	1
2	700162 – Screw	1
3	4990E – Eyelet	1
4	4990HCK – Lever	1