

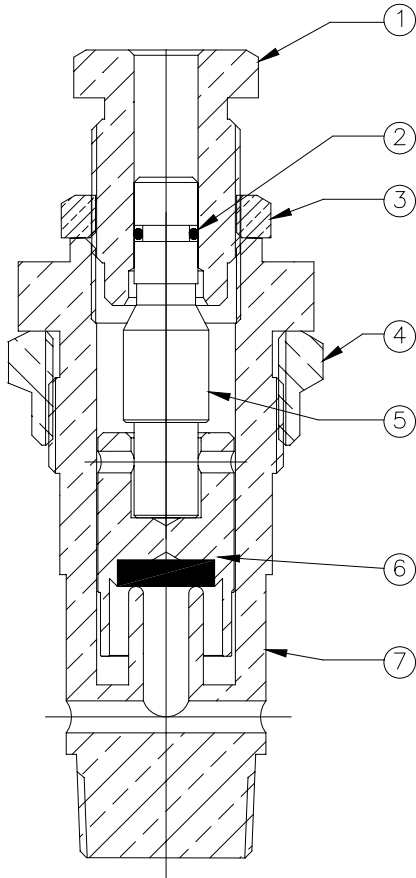


UNITED BRASS WORKS, INC.
714 S. Main St., Randleman, NC 27317
Tel: 800-334-3035 Fax: 800-498-4696 www.ubw.com



Model X185 Short Buck Valve

125WSP @ 350°F Max



MATERIAL LIST

NO.	DESCRIPTION	QTY.
1	X184 – Stem Guide	1
2	702510 O-Ring 010VT	1
3	X183 – Guide Lock Nut	1
4	794A – Body Lock Nut	1
5	X187 – Stem	1
6	V115 – Disc Holder	1
7	V132 – Body	1

** Install using V125T – Gasket (not included).*