



# UNITED BRASS WORKS, INC.

714 S. Main St., Randleman, NC 27317

Tel: 800-334-3035 Fax: 800-498-4696 www.ubw.com



## Model 25WT Whistle Valve

**Quick-Opening  
Self-Closing Globe Valve**

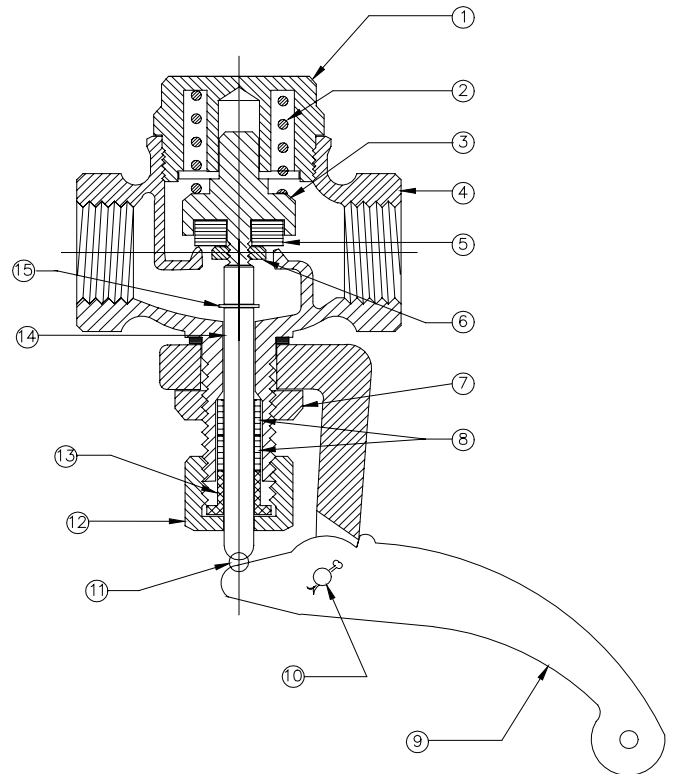
**200WSP @ 406° Max**

**400 WOG**

**100% Pressure Tested**

**Threaded Ends**

**PTFE Disc • Integral Seat**



### MATERIAL LIST

NO.	DESCRIPTION	MATERIAL
1	Cap	Brass
2	Spring	Stainless Steel
3	Disc Holder	Brass
4	Body	Bronze
5	Disc	PTFE
6	Disc Nut	Brass
7	Lock Nut	Bras
8	Packing	NAFG
9	Lever	Bronze
10	Clevis Pin	Steel
11	Packing Nut	Brass
12	Packing Gland	Brass
13	Yoke	Bronze
14	Stem	Stainless Steel
15	Retaining Ring	Steel

	A	B	Qty. Per Ctn.
25WT 1/4"	2.34	3.22	10
25WT 3/8"	2.34	3.22	6
25WT 1/2"	2.69	4.00	5
25WT 3/4"	3.00	4.50	6
25WT 1"	3.75	5.25	4