



UNITED BRASS WORKS, INC.

714 S. Main St., Randleman, NC 27317

Tel: 800-334-3035 Fax: 800-498-4696 www.ubw.com



Model 25WACT Whistle Valve

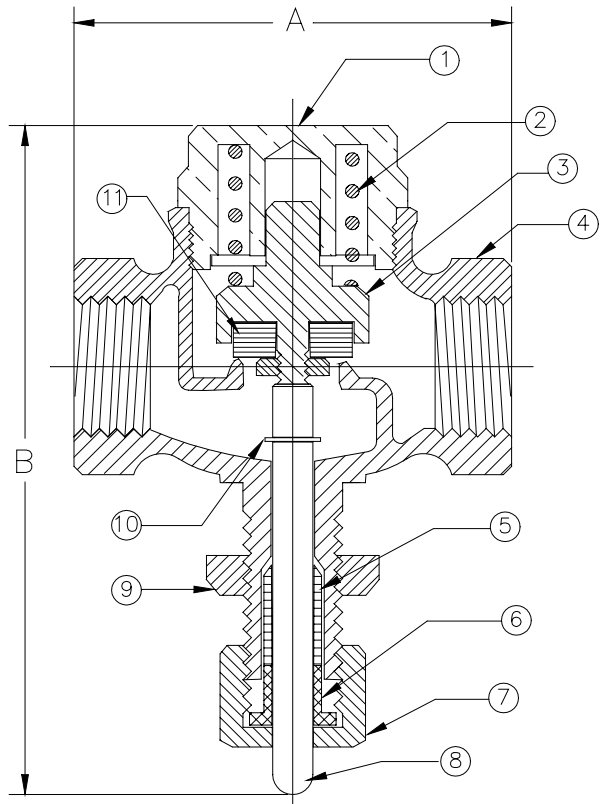
Quick-Opening
Self-Closing Globe Valve

200WSP • 400 WOG

100% Pressure Tested

Threaded Ends

PTFE Disc • Integral Seat



MATERIAL LIST

| NO. | DESCRIPTION | MATERIAL |
|-----|----------------|-----------------|
| 1 | Cap | Brass |
| 2 | Spring | Stainless Steel |
| 3 | Disc Holder | Brass |
| 4 | Body | Bronze |
| 5 | Packing | NAFG |
| 6 | Gland | Brass |
| 7 | Packing Nut | Brass |
| 8 | Stem | Stainless Steel |
| 9 | Lock Nut | Brass |
| 10 | Retaining Ring | Steel |
| 11 | Disc | PTFE |

| | A | B | Qty. Per Ctn. |
|-------------|------|------|---------------|
| 25WACT 1/4" | 2.34 | 3.22 | 10 |
| 25WACT 3/8" | 2.34 | 3.22 | 6 |
| 25WACT 1/2" | 2.69 | 4.00 | 5 |
| 25WACT 3/4" | 3.00 | 4.50 | 6 |
| 25WACT 1" | 3.75 | 5.25 | 4 |