



**UNITED BRASS WORKS, INC.**  
 714 S. Main St., Randleman, NC 27317  
 Tel: 800-334-3035 Fax: 800-498-4696 www.ubw.com

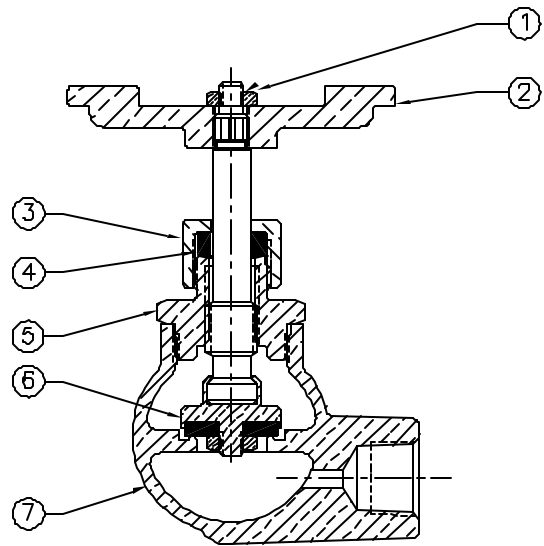


## Model 175TSB Sampler Valve

**200 WOG • 100% Pressure Tested**  
**PTFE Disc • Bronze Hand Wheel**  
**Threaded Ends**

### MATERIAL LIST

NO.	DESCRIPTION	MATERIAL
1	Nut	Brass
2	Hand Wheel	Bronze
3	Packing Nut	Brass
4	Packing	Graphite (Non-Asb)
5	Bonnet	Brass
6	Stem & Disc Assembly	Brass
7	Body	Bronze



Size	A	B	C (Open)	C (Closed)	Weight
1"	2.66	2.13	3.50	3.06	1.17