



UNITED BRASS WORKS, INC.

714 S. Main St., Randleman, NC 27317

Tel: 800-334-3035 Fax: 800-498-4696 www.ubw.com



Model 55 Spring Check Air Control Valve

200 WOG @ 180 ° Max

100% Pressure Tested

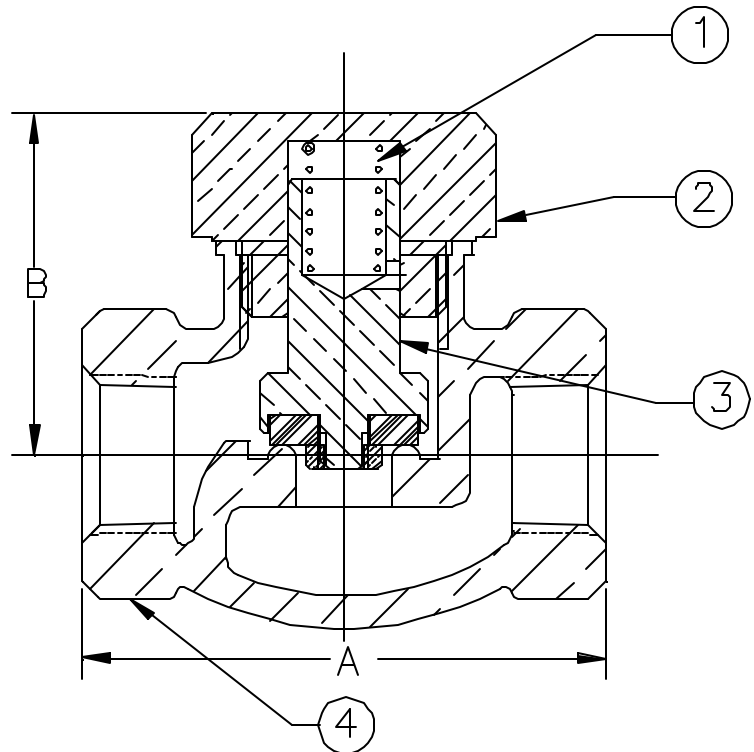
Threaded Ends

Soft Disc

Integral Seat

MATERIAL LIST

NO.	DESCRIPTION	MATERIAL
1	Spring	Stainless Steel
2	Cap	Brass
3	Disc Holder Assembly	Brass
4	Body	Bronze



Size	1/4"
A	1.75
B	1.12
Ship Wgt (lbs.)	0.20
Qty. per Ctn.	12