

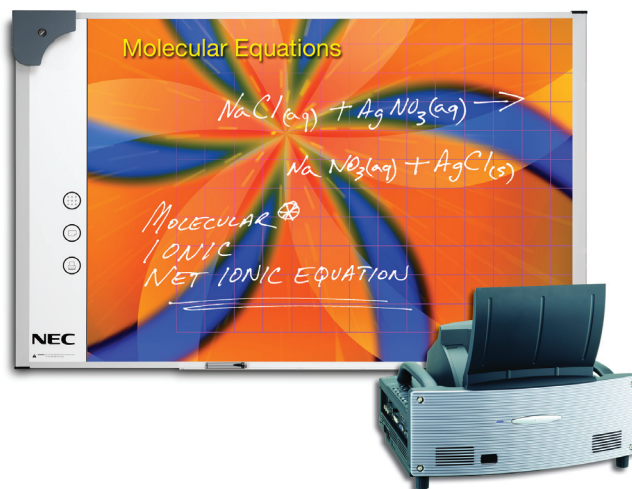
Imaginex Series

IW77 interactive whiteboard and WT610E projector bundle ideal for educational environments

Revolutionize the classroom by getting students more involved with day-to-day materials. By utilizing a PC or Mac and a projector, the power of this teaching tool will increase students' attention and retention.

FEATURES AND FUNCTIONS

- **Complete compatibility.** Ships with the NEC WT610E DLP projector, IW77 interactive whiteboard and WT60WM wall mount.
- **Annotation tools** include pen, shapes, highlighter, eraser, redo/undo and save buttons allowing users to create endless possibilities on the screen. Teach everything from handwriting to music all on the board and be able to save files for students to take home.
- **Web collaboration.** Broadcast and share material over an intranet or the Internet. The host broadcasts the material over a network and participants log in to see notes and annotations in real-time.
- **Mouse functionality** allows the user to control the desktop from the board with the included stylus pen. Open files, browse the Internet and much more.
- **Present almost instantly.** PowerPoint button brings up a File > Open window that allows the user to quickly open up PowerPoint files in Slideshow mode.
- **Three different interactive tools** to choose from:
 - **SCRAPBOOK application.** The scrapbook turns the image on the whiteboard surface into a digital workspace. Multiple tools within the application allow the user to record notes digitally, import screen shots and other files as background images, save scrapbook files and use layers to hide and show elements of a page
 - **Desktop palette.** Allows quick selection of major functions including annotation, pop-up keyboard.
 - **PowerPoint palette.** Allows annotation and navigation from slide presentations.
- **Durable surface.** Specially researched and developed porcelain enamel skin from Alfher Porcelain combine to withstand almost any common usage damage to the surface.

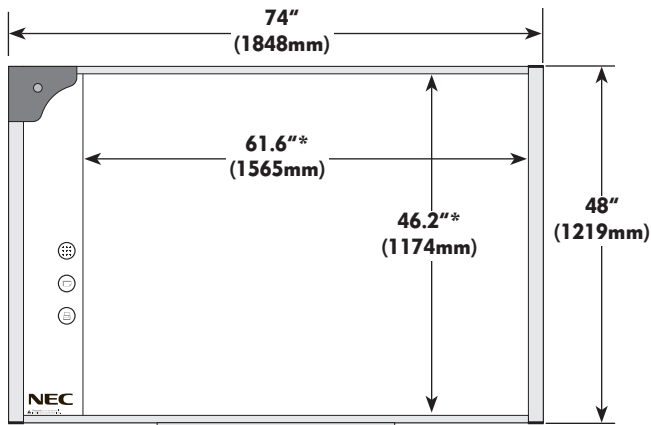


INTERACTIVE TECHNOLOGY ENABLES CONTROL OF COMPUTER AND COURSE CONTENT

INVOLVES STUDENTS IN SUBJECT MATTER PROMOTING INCREASED SUBJECT RETENTION

NEWPROJECTS AND EDITS TO EXISTING MATERIALS CAN BE SAVED FOR FUTURE REVIEW

WHITEBOARD INCLUDES MOUNTING HARDWARE, INTERACTIVE DIGITAL STYLUS AND SOFTWARE



* WRITING SURFACE DIMENSIONS



Specifications for IW77

Display Aspect Ratio	4:3
Inputs	Infrared and ultrasonic
Computer Interface	USB 2.0
Screen Size	
Diagonal	77 in. / 1956mm
W x H	61.6 x 46.2 in. / 1565 x 1174mm
Positional Accuracy	+/- 1.5mm
MECHANICAL	
Overall Dimensions (W x H x D)	74x48x2 in. / 1848x1219x50.8mm
Weight	
Net	63 lbs.
Gross	77 lbs.
ENVIRONMENTAL	
Operating Temperature	16 - 32°C
Humidity	40 - 70%
BUNDLED SOFTWARE*	Interactive software providing organization for gathering, preparing, presenting and sharing computer content. Handwriting recognition provided via Microsoft Office software
MINIMUM SYSTEM REQUIREMENTS	
Windows	Pentium IV, 512MB RAM, 20 MB available HD space; Windows XP, 2000, 2003, Vista, and Tablet PC
Macintosh	Mac OS X 10.4 and higher Available USB port
WARRANTY	Two-year limited warranty on hardware and software
IN THE BOX	Interactive whiteboard, interactive stylus pen and battery, NEC Interact software CD-ROM, mounting bracket and hardware, Quick Reference Guide and Install Guide
ACCESSORIES	
IWSTYLUS	Replacement stylus
IWSTAND	Portable whiteboard stand

* Macintosh software available for download at www.necdisplay.com

Specifications for WT610E

OPTICAL	
Display Technology	Single chip 12 degree DMD
Resolution	XGA 1024 x 768
Native	UXGA 1600 x 1200
Maximum	2000 normal / 1500 eco
Light Output (lumens)	3500:1
Contrast Ratio	275W DC
Lamp Type	2000 hours normal / 4000 hours eco
Lamp Life (up to)	40-100 in.
Screen Size (diagonal)	2.5 - 25.9 in. / 64 - 659mm
Projection Distance	55°
Projection Angle	±5° Horizontal and -5° Vertical
Keystone Correction	
SIGNAL COMPATIBILITY/CONNECTIVITY	
Scan Rate	Horizontal 15 - 100 kHz (non-interlaced) / Vertical 50 - 120 Hz
Supported Video Standards	NTSC, NTSC4.43, PAL, PAL-60, PAL-M, PAL-N, SECAM
SD/HD Video Signal Compatibility	1080i, 720p, 576p, 576i, 480p, 480i
PC Signal Compatibility	VGA, SVGA, XGA, SXGA, SXGA+, UXGA
Macintosh Compatibility	Yes
Input/Output Terminals	
RGB 1 (analog)	15 pin
RGB2 (analog)	DVI-I with HDCP
Video 1	Composite
Video 2	S-Video
Audio	1 set RCA, 2 stereo mini
Audio Out	Variable audio out
Monitor Out	Yes
Audio	1W x 2
External Control	RS232, LAN (AMX/Crestron compatibility), remote in
Sync Compatibility	Separate Sync / Composite Sync / Sync on G
Networking	Wired LAN using integrated RJ45, 802.11b/g wireless with optional card
ELECTRICAL	
Power Req.	100-120VAC/200-240VAC, 50/60Hz
Input Current	3.9A (100V), 1.7A (240V)
Power Consumption	Eco-Mode 300W, Normal 370W, 0.6W Standby, 8.0W Idle Mode
MECHANICAL	
Installation Orientation	Floor/Front, Floor/Rear, Ceiling/Front, Ceiling/Rear
Dimensions (WxDxH)	14.96x12.32x12.32 in. / 380x313x313mm, mirror open (not including protrusions)
Net Weight	14.1 lb. / 6.4 kg
Fan Noise	< 37 dB normal / 32 dB eco
Regulations	USA UL 1950 FCC Class B, Canada CSA950 (C-UL), NOM
ENVIRONMENTAL	
Operational Temp	41° - 95°F / 5° - 35°C
Humidity	20-80% non-condensing
Storage	14° - 122°F / -10° - 50°C
WARRANTY	Owners receive a 2-year limited parts and labor warranty. RepairCare™ is provided during the first year of coverage for registered owners. RepairCare provides the original owner with 3-business day repair and return of the projector. When used under normal operating conditions, the lamp is covered for 90 days or 500 hours, whichever comes first.
ACCESSORIES	
WT61LP	Replacement lamp
NWL-100A	802.11b/g wireless LAN PC card
WTPL-01	Extends term of limited parts and labor warranty to three years
IW77	Interactive whiteboard

Additional accessories are available, including screens, carts, mount accessories and replacement cables. Visit www.necdisplay.com for details.



DLP and the DLP logo are registered trademarks of Texas Instruments. All other brand or product names are trademarks or registered trademarks of their respective holders. Product specifications subject to change. 8/07 ver. 1.
©2007 NEC Display Solutions of America, Inc. All rights reserved.

NEC Display Solutions
500 Park Boulevard, Suite 1100
Itasca, IL 60143
866-NEC-INFO

NEC