

## MONITOR Series

■ The Monitor MSW8 subwoofer was expressly designed to complement the Monitor MR8. Alternate satellite speakers, differing from the MR8 in sensitivity and/or impedance, may be used with the MSW8, by making use of a switch located on the terminal plate. The switch bypasses the internal crossover, allowing bi-amplification.

■ The MSW8 will handle 300W (IEC) continuous power, producing 123dB SPL (1m) in a 35Hz–125Hz bandpass.

■ Its 12" driver was exclusively created for subwoofer applications, and features a reinforced Kapton support for the 3" voice coil. All adhesives used can withstand operating temperatures up to 300°C. The spider is airtight and acts as a pump to air cool the magnet assembly. Additionally, a finned heat sink is present on the back of the basket.

■ The rectangular cabinet utilizes a dual load reflex configuration to maximize the subwoofer's performance while keeping its size to a minimum. It is constructed with extremely rigid, high density particle board to reduce cabinet resonance. Two convenient hand holds are built-in. It is coated with scratch resistant, matte black PVC with the exception of the attractively contoured baffle that is paint coated to facilitate repainting.

■ The MSW8 is a part of Mackie Industrial's Monitor Series.

■ This Mackie Industrial product is covered by an exclusive, one-time NO FAULT repair policy in addition to a five year, limited warranty.

## Dual Load Reflex Subwoofer



### Features

- 12" high efficiency, sub-woofer driver featuring 3" reinforced Kapton® voice coil, finned heat sink and heat resistant adhesives
- 8Ω low inductance passive crossover with band-limited output terminals for stereo satellite loudspeakers
- Extremely Efficient — Extremely Compact
- Dual-load vented, rectangular enclosure, constructed with high density particle board for maximum rigidity
- Exclusive Mackie Industrial — one-time NO FAULT repair policy
- Five year, limited warranty

- Low-Frequency Enhancement
- Music Enhancement
- Special Effects Reinforcement
- Entertainment Systems

# MSW8 Dual Load Reflex Subwoofer

## Specifications

### System

Freq. Range (-10dB):	35Hz-200Hz
Freq. Response (-3dB):	55Hz-150Hz
System Sensitivity <sup>1</sup> :	92dB, 1W @ 1m
Rated Maximum SPL:	123dB, @ 1m (both channels)
Nominal Impedance:	8Ω
Input Power Rating:	300W IEC; 1200W Peak
Recommended Amplifier <sup>2</sup> :	450W
Crossover:	120Hz, 12dB/octave

### Transducers

Low-Frequency:	12" (300mm) woofer with 3" (76mm) coil
----------------	-------------------------------------------

### Physical

Enclosure:	Rectangular, high density particle board
Rigging Inserts:	9 points; accepts M10 threaded hardware, 3 eyebolts provided

### Physical

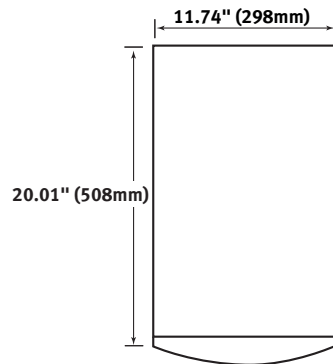
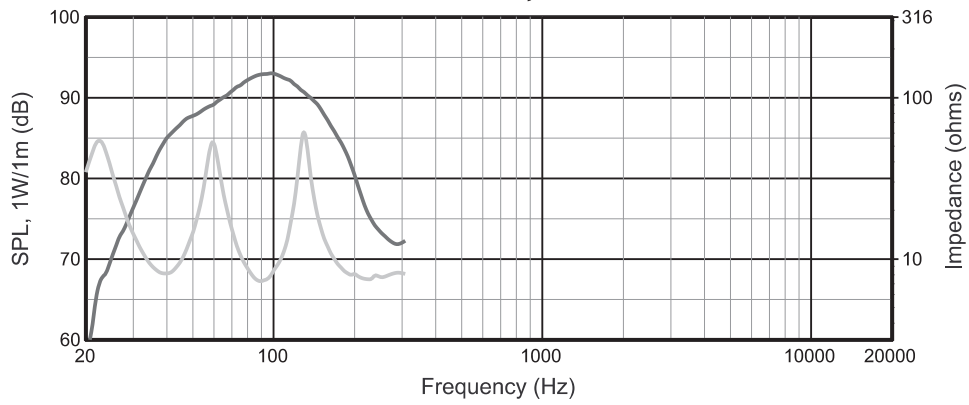
Color:	Black, scratch resistant PVC
Input Connectors:	Dual banana jack, 23mm spacing
Dimensions (HxWxD):	31.52" x 11.74" x 20.01" (800mm x 298mm x 508mm)
Net Weight:	79.3 lb. (35.9kg)

<sup>1</sup> Measured on axis in the far field with 1 watt (2.83V RMS, 8Ω) input and referenced to 1 meter distance using the inverse square law. Listed sound pressure represents an average from 50Hz to 150Hz.

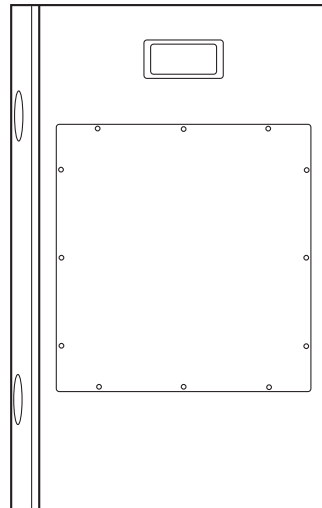
<sup>2</sup> Recommended Amplifier is a power capability value that should be taken as a guide.

# MSW8 Dual Load Reflex Subwoofer

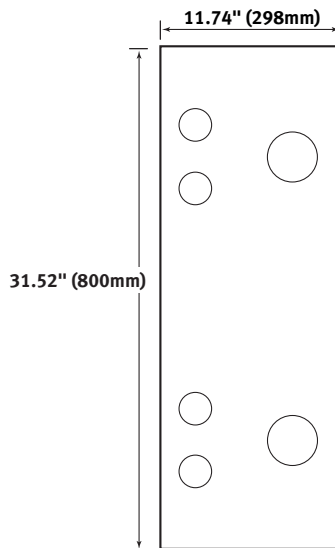
Frequency Response is measured on-axis at a distance referenced back to 1m at 1-watt drive. Shown as half space ( $2\pi$ ) environment.



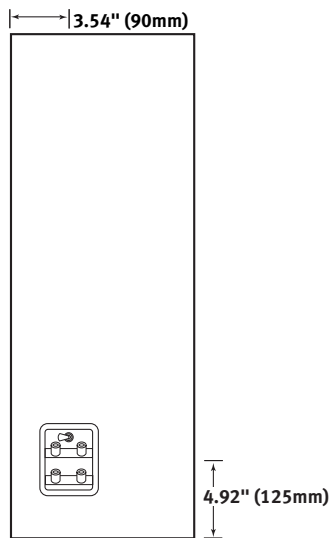
TOP



SIDE



FRONT



REAR

# MSW8 Dual Load Reflex Subwoofer

## Architects' & Engineers' Specifications

The subwoofer loudspeaker system shall be self-contained and consist of the following components: (1) a low frequency driver; (2) a two-way crossover network; (4) a vented enclosure.

The low frequency transducer shall be a cone type loudspeaker having a diameter of at least 12 inches (300mm). The cone shall be fitted with a high compliance foam surround and treated to resist moisture. It shall have a voice coil that is at least 3 inches in diameter and present a nominal impedance load of  $8\Omega$  to the crossover networks.

The system shall be crossed over by an internal, high-level, passive network having a response of 12dB/octave. The nominal crossover frequency shall be 120Hz. The crossover network shall present, at the connectors, a high-pass output at 120Hz for the purpose of connecting a full range satellite loudspeaker.

The enclosure shall be a vented design. It shall be constructed using high density particle board and finished with black, scratch resistant PVC. It shall be rectangular in shape. The overall dimensions of the enclosure shall not exceed (HxWxD) 31.52" x 11.74" x 20.01" (800mm x 298mm x 508mm). The total weight of the loudspeaker shall be less than 79.3 lbs. (35.9kg). Connections to the loudspeaker, input and output, shall be two dual banana jacks.

The loudspeaker system shall have an overall frequency response of at least 35Hz–200Hz when measured to  $-10\text{dB}$  and at least 55Hz–150Hz when measured to  $-3\text{dB}$ . Calculated 1W/1m sensitivity shall be at least 92dB when measured in the far field between 50Hz and 150Hz. Maximum SPL shall be at least 123dB at 1m. The loudspeaker shall be rated for continuous operation at 300W IEC with 1200W peaks.

The subwoofer loudspeaker system shall be a model MSW8 manufactured by Mackie Industrial.



[www.mackieindustrial.com](http://www.mackieindustrial.com)

16220 Wood-Red Rd NE, Woodinville, WA 98072 USA  
888.337.7404, fax 425.487.4337, [industrial@mackie.com](mailto:industrial@mackie.com)

UK + 44 1268 570 808, fax + 44 1268 570 809, [industrial@rcf-uk.com](mailto:industrial@rcf-uk.com)  
ITALY +39 0522 354 111, fax +39 0522 332 294, [industrial@rcf.it](mailto:industrial@rcf.it)  
FRANCE +33 3 8546 9160, fax +33 3 8546 9161, [industrial@rcf.fr](mailto:industrial@rcf.fr)  
GERMANY +49 2572 96042 0, fax +49 2572 96042 10, [industrial@mackie.de](mailto:industrial@mackie.de)

Electronic files for this product available at:  
[www.mackieindustrial.com](http://www.mackieindustrial.com)

This Specification Sheet	MSW8.PDF
Architects' & Engineers' Specifications	MSW8AE.TXT
Quick-Start Manual	MSW8QS.PDF
Owner/Operator's Manual	MSW8ML.PDF
CADD files	MSW8.DXF
EASE data	MSW8.EAS

Mackie Designs continually engages in research related to product improvement. New material, production methods, and design refinements are introduced into existing products without notice as a routine expression of that philosophy. For this reason, any current Mackie Industrial product may differ in some respect from its published description, but will always equal or exceed the original design specifications unless otherwise stated. ©1999-2000 Mackie Designs Inc. All rights Reserved. **MACKIE** and  are registered trademarks of Mackie Designs Inc. Mackie Industrial is a trademark of Mackie Designs Inc.

part no. 910-214-10