



Industrial Duty Three-Phase Motors



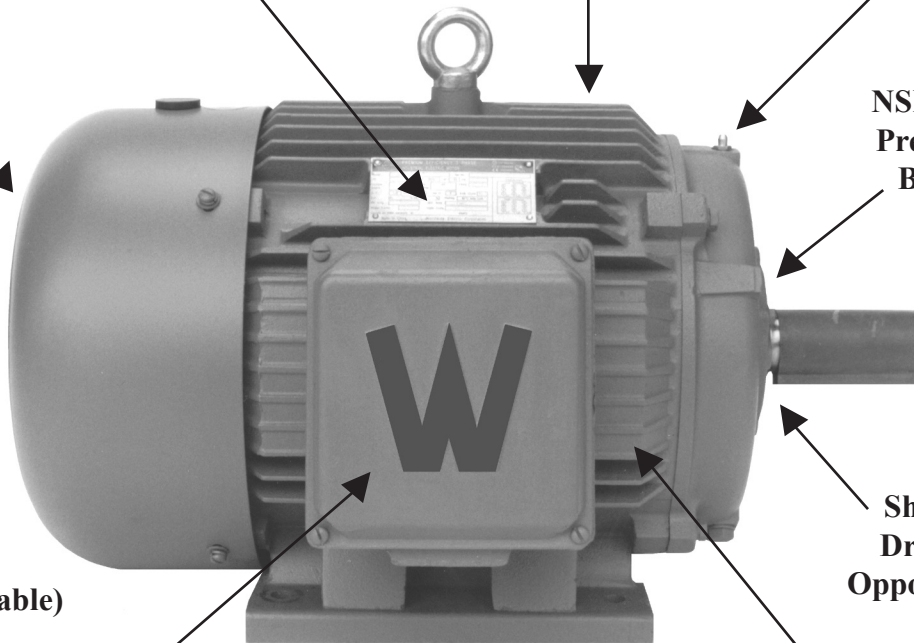
High Efficiency
cCSA_{US} Certified
ISO9001
CE Mark
CC006A
Standards Of
Excellence

All Cast Iron Frame
Ribbed Design For
Maximum Cooling

Class F
Winding
Insulation

All Ratings
Totally Enclosed
Fan Cooled

NSK / SKF Brand
Premium Quality
Ball Or Roller
Bearings



All Steel
Fan Cover
(Cast Iron Available)

V-Ring
Shaft Seals On
Drive-End And
Opposite Drive-End

All Cast Iron
Junction Box
With Rubber Gasket
And Rubber Dust Curtain

Solid
(Full Frame Length)
All Cast Iron
Mounting Feet

Standard NEMA
"T" Frame
(Available With C-Flange
And D-Flange Kits)



ISO9001



CC006A

Industrial Duty Three-Phase Motors



- ▶ 1 HP - 500 HP
- ▶ 3600, 1800, 1200 & 900 RPM
- ▶ 208-230/460 Volt
- ▶ TEFC Enclosure

HP	RPM	Voltage	Frame Size	Model Number	List * Price
1	1800	208-230/460	143T	WWE1-18-143T	\$277.90
1	1200	208-230/460	145T	WWE1-12-145T	\$375.23
1.5	3600	208-230/460	143T	WWE1.5-36-143T	\$339.67
1.5	1800	208-230/460	145T	WWE1.5-18-145T	\$347.42
1.5	1200	208-230/460	182T	WWE1.5-12-182T	\$403.03
2	3600	208-230/460	145T	WWE2-36-145T	\$384.01
2	1800	208-230/460	145T	WWE2-18-145T	\$361.33
2	1200	208-230/460	182T	WWE2-12-182T	\$521.20
3	3600	208-230/460	145T	WWE3-36-145T	\$541.52
3	3600	208-230/460	182T	WWE3-36-182T	\$487.37
3	1800	208-230/460	182T	WWE3-18-182T	\$471.07
3	1200	208-230/460	213T	WWE3-12-213T	\$738.10
5	3600	208-230/460	184T	WWE5-36-184T	\$607.89
5	1800	208-230/460	184T	WWE5-18-184T	\$508.88
5	1200	208-230/460	215T	WWE5-12-215T	\$931.07
5	900	208-230/460	254T	WWE5-9-254T	\$1,508.96
7.5	3600	208-230/460	184T	WWE7.5-36-184T	\$904.71
7.5	3600	208-230/460	213T	WWE7.5-36-213T	\$814.24
7.5	1800	208-230/460	213T	WWE7.5-18-213T	\$700.57
7.5	1200	208-230/460	254T	WWE7.5-12-254T	\$1,146.51
7.5	900	208-230/460	256T	WWE7.5-9-256T	\$1,660.72
10	3600	208-230/460	215T	WWE10-36-215T	\$934.51
10	1800	208-230/460	215T	WWE10-18-215T	\$808.82
10	1200	208-230/460	256T	WWE10-12-256T	\$1,563.40
10	900	208-230/460	284T	WWE10-9-284T	\$2,401.78
15	3600	208-230/460	215T	WWE15-36-215T	\$1,564.24
15	3600	208-230/460	254T	WWE15-36-254T	\$1,407.81
15	1800	208-230/460	254T	WWE15-18-254T	\$1,199.85
15	1200	208-230/460	284T	WWE15-12-284T	\$1,959.38
15	900	208-230/460	286T	WWE15-9-286T	\$3,107.18
20	3600	208-230/460	256T	WWE20-36-256T	\$1,602.26
20	1800	208-230/460	256T	WWE20-18-256T	\$1,362.88
20	1200	208-230/460	286T	WWE20-12-286T	\$2,358.47
20	900	208-230/460	324T	WWE20-9-324T	\$3,642.89
25	3600	208-230/460	256T	WWE25-36-256T	\$2,198.98
25	3600	208-230/460	284T	WWE25-36-284T	\$2,198.98
25	3600	208-230/460	284TS	WWE25-36-284TS	\$1,979.08
25	1800	208-230/460	284T	WWE25-18-284T	\$1,893.18
25	1200	208-230/460	324T	WWE25-12-324T	\$2,845.74
25	900	208-230/460	326T	WWE25-9-326T	\$4,091.93
30	3600	208-230/460	286T	WWE30-36-286T	\$2,405.35
30	3600	208-230/460	286TS	WWE30-36-286TS	\$2,164.82
30	1800	208-230/460	286T	WWE30-18-286T	\$2,061.39
30	1200	208-230/460	326T	WWE30-12-326T	\$3,345.02
30	900	208-230/460	364T	WWE30-9-364T	\$4,913.65
40	3600	208-230/460	286T	WWE40-36-286T	\$3,196.61
40	3600	208-230/460	286TS	WWE40-36-286TS	\$3,196.61
40	3600	208-230/460	324T	WWE40-36-324T	\$3,196.61
40	3600	208-230/460	324TS	WWE40-36-324TS	\$2,876.95
40	1800	208-230/460	324T	WWE40-18-324T	\$2,688.65
40	1200	208-230/460	364T	WWE40-12-364T	\$4,157.21
40	900	208-230/460	365T	WWE40-9-365T	\$6,099.72

HP	RPM	Voltage	Frame Size	Model Number	List * Price
50	3600	208-230/460	326T	WWE50-36-326T	\$3,995.77
50	3600	208-230/460	326TS	WWE50-36-326TS	\$3,596.20
50	1800	208-230/460	326T	WWE50-18-326T	\$3,437.67
50	1200	208-230/460	365T	WWE50-12-365T	\$5,449.18
50	900	208-230/460	404T	WWE50-9-404T	\$7,201.09
60	3600	208-230/460	364T	WWE60-36-364T	\$5,377.57
60	3600	208-230/460	364TS	WWE60-36-364TS	\$4,839.82
60	1800	208-230/460	364T	WWE60-18-364T	\$4,540.99
60	1200	208-230/460	404T	WWE60-12-404T	\$6,114.32
60	900	208-230/460	405T	WWE60-9-405T	\$8,183.80
75	3600	208-230/460	365T	WWE75-36-365T	\$6,704.54
75	3600	208-230/460	365TS	WWE75-36-365TS	\$6,034.09
75	1800	208-230/460	365T	WWE75-18-365T	\$5,250.86
75	1200	208-230/460	405T	WWE75-12-405T	\$6,299.73
75	900	208-230/460	444T	WWE75-9-444T	\$11,953.80
100	3600	208-230/460	405TS	WWE100-36-405TS	\$7,143.82
100	1800	208-230/460	405T	WWE100-18-405T	\$5,991.30
100	1200	208-230/460	444T	WWE100-12-444T	\$9,258.03
100	900	208-230/460	445T	WWE100-9-445T	\$12,877.26
125	3600	208-230/460	444TS	WWE125-36-444TS	\$8,963.26
125	1800	208-230/460	444T	WWE125-18-444T	\$8,704.28
125	1200	208-230/460	445T	WWE125-12-445T	\$10,463.28
125	900	208-230/460	445/7T	WWE125-9-445/7T	\$16,545.52
150	3600	208-230/460	445TS	WWE150-36-445TS	\$10,884.01
150	1800	208-230/460	445T	WWE150-18-445T	\$9,441.07
150	1200	208-230/460	445/7T	WWE150-12-445/7T	\$13,365.22
150	900	208-230/460	449T	WWE150-9-449T	\$18,835.80
200	3600	208-230/460	447TS	WWE200-36-447TS	\$14,234.74
200	1800	208-230/460	445/7T	WWE200-18-445/7T	\$12,703.45
200	1200	460	449T	WWE200-12-449T	\$15,710.23
200	1200	208-230/460	505Z(UZ)	WWE200-12-505Z(UZ)	\$17,532.51
200	900	460	449T	WWE200-9-449T	\$21,174.00
250	3600	460	449TS	WWE250-36-449TS	\$19,435.49
250	1800	460	449T	WWE250-18-449T	\$16,074.08
250	1800	460	505Z(UZ)	WWE250-18-505Z(UZ)	\$18,321.44
250	1200	460	449T	WWE250-12-449T	\$21,168.48
250	1200	460	586/7(UZ)	WWE250-12-586/7(UZ)	\$28,293.22
250	900	460	586/7(UZ)	WWE250-9-586/7(UZ)	\$35,454.71
300	1800	460	449T	WWE300-18-449T	\$21,808.72
300	1800	460	586/7(UZ)	WWE300-18-586/7(UZ)	\$26,198.25
300	1200	460	449T	WWE300-12-449T	\$25,161.73
300	1200	460	586/7(UZ)	WWE300-12-586/7(UZ)	\$30,572.28
300	900	460	586/7	WWE300-9-586/7	\$36,805.56
350	1800	460	586/7(UZ)	WWE350-18-586/7(UZ)	\$27,342.46
350	1200	460	586/7(UZ)	WWE350-12-586/7(UZ)	\$31,529.30
400	1800	460	586/7(UZ)	WWE400-18-586/7(UZ)	\$29,389.79
400	1200	460	586/7(UZ)	WWE400-12-586/7(UZ)	\$34,071.48
450	1800	460	586/7(UZ)	WWE450-18-586/7(UZ)	\$36,359.78
450	1200	460	586/7(UZ)	WWE450-12-586/7(UZ)	\$37,413.08
500	1800	460	586/7(UZ)	WWE500-18-586/7(UZ)	\$37,722.53
500	1200	460	586/7(UZ)	WWE500-12-586/7(UZ)	\$40,184.66

* Prices In This Brochure Are List - Please Call For Your Multiplier

Industrial Duty Three-Phase Motors



Short Shaft Motors (TS-Frame)

- ▶ 25 HP - 300 HP
- ▶ 1800 RPM
- ▶ TEFC Enclosure

HP	RPM	Voltage	Frame Size	Model Number	List * Price
25	1800	208-230/460	284TS	WWE25-18-284TS	\$2,103.53
30	1800	208-230/460	286TS	WWE30-18-286TS	\$2,290.43
40	1800	208-230/460	324TS	WWE40-18-324TS	\$2,987.39
50	1800	208-230/460	326TS	WWE50-18-326TS	\$3,819.63
60	1800	208-230/460	364TS	WWE60-18-364TS	\$5,045.54
75	1800	208-230/460	365TS	WWE75-18-365TS	\$5,834.29
100	1800	208-230/460	405TS	WWE100-18-405TSBB	\$6,657.00
125	1800	208-230/460	444TS	WWE125-18-444TSBB	\$9,671.42
150	1800	208-230/460	445TS	WWE150-18-445TSBB	\$10,490.08
200	1800	208-230/460	445/7TS	WWE200-18-445/7TSBB	\$14,114.94
250	1800	460	449TS	WWE250-18-449TSBB	\$17,860.09
300	1800	460	449TS	WWE300-18-449TSBB	\$24,231.91

Ball Bearing Motors

- ▶ 100 HP - 500 HP
- ▶ 1800 RPM
- ▶ TEFC Enclosure

HP	RPM	Voltage	Frame Size	Model Number	List * Price
100	1800	208-230/460	405T	WWE100-18-405TBB	\$5,991.30
125	1800	208-230/460	444T	WWE125-18-444TBB	\$8,704.28
150	1800	208-230/460	445T	WWE150-18-445TBB	\$9,441.07
200	1800	208-230/460	445/7T	WWE200-18-445/7TBB	\$12,703.45
250	1800	460	449T	WWE250-18-449TBB	\$16,074.08
300	1800	460	449T	WWE300-18-449TBB	\$21,808.72
300	1800	460	586/7	WWE300-18-586/7BB	\$26,198.25
350	1800	460	586/7UZ	WWE350-18-586/7UZBB	\$27,342.46
400	1800	460	586/7	WWE400-18-586/7BB	\$29,389.79
500	1800	460	586/7	WWE500-18-586/7BB	\$37,722.53

575 Volt Motors

- ▶ 1 HP - 500 HP
- ▶ 1800 RPM
- ▶ TEFC Enclosure

HP	RPM	Voltage	Frame Size	Model Number	List * Price
1	1800	575	143T	WWE1-18-575-143T	\$308.78
1.5	1800	575	145T	WWE1.5-18-575-145T	\$386.03
2	1800	575	145T	WWE2-18-575-145T	\$401.47
3	1800	575	182T	WWE3-18-575-182T	\$523.41
5	1800	575	184T	WWE5-18-575-184T	\$565.43
7.5	1800	575	213T	WWE7.5-18-575-213T	\$778.41
10	1800	575	215T	WWE10-18-575-215T	\$898.68
15	1800	575	254T	WWE15-18-575-254T	\$1,333.16
20	1800	575	256T	WWE20-18-575-256T	\$1,514.31
25	1800	575	284T	WWE25-18-575-284T	\$2,103.53
30	1800	575	286T	WWE30-18-575-286T	\$2,290.44
40	1800	575	324T	WWE40-18-575-324T	\$2,987.39
50	1800	575	326T	WWE50-18-575-326T	\$3,819.63
60	1800	575	364T	WWE60-18-575-364T	\$5,045.54
75	1800	575	365T	WWE75-18-575-365T	\$5,834.29
100	1800	575	405T	WWE100-18-575-405T	\$6,657.00
125	1800	575	444T	WWE125-18-575-444T	\$9,671.43
150	1800	575	445T	WWE150-18-575-445T	\$10,490.07
200	1800	575	445/7T	WWE200-18-575-445/7T	\$14,114.94
250	1800	575	449T	WWE250-18-575-449T	\$17,860.09
300	1800	575	449T	WWE300-18-575-449T	\$25,194.90
300	1800	575	586/7	WWE300-18-575-586/7	\$30,943.58
350	1800	575	586/7	WWE350-18-575-586/7	\$33,689.02
400	1800	575	586/7	WWE400-18-575-586/7	\$34,713.25
450	1800	575	586/7	WWE450-18-575-586/7	\$40,082.56
500	1800	575	586/7	WWE500-18-575-586/7	\$41,588.89

Industrial Duty Three-Phase Motors



Performance Data (1 HP - 50 HP)

Model Number	FL Amps 460 V	LRT (%)	BDT (%)	FL Eff. (%)	FL P.F.	S.F.
WWE1-18-143T	1.5	250	350	82.5	0.71	1.15
WWE1-18-575-143T	1.2	250	350	82.5	0.71	1.15
WWE1-12-145T	1.6	200	250	80.0	0.71	1.15
WWE1.5-36-143T	1.9	180	250	82.5	0.86	1.15
WWE1.5-18-145T	2.1	240	320	84.0	0.74	1.15
WWE1.5-18-575-145T	1.68	240	320	84.0	0.74	1.15
WWE1.5-12-182T	2.41	280	370	85.5	0.65	1.15
WWE2-36-145T	2.5	200	270	84.0	0.87	1.15
WWE2-18-145T	2.7	230	290	84.0	0.77	1.15
WWE2-18-575-145T	2.16	230	290	84.0	0.77	1.15
WWE2-12-184T	3.05	270	340	86.5	0.70	1.15
WWE3-36-145T	3.6	200	290	85.5	0.86	1.15
WWE3-36-182T	3.6	230	360	85.5	0.86	1.15
WWE3-18-182T	3.86	280	330	87.5	0.81	1.15
WWE3-18-575-182T	3.09	280	330	87.5	0.81	1.15
WWE3-12-213T	4.2	170	280	87.5	0.72	1.15
WWE5-36-184T	5.65	210	355	87.5	0.88	1.15
WWE5-18-184T	5.9	270	310	87.5	0.84	1.15
WWE5-18-575-184T	4.72	270	310	87.5	0.84	1.15
WWE5-12-215T	6.8	170	240	87.5	0.72	1.15
WWE5-9-254T	7.6	210	280	85.5	0.71	1.15
WWE7.5-36-184T	8.4	240	370	88.5	0.88	1.15
WWE7.5-36-213T	8.4	200	330	88.5	0.89	1.15
WWE7.5-18-213T	9.3	200	330	89.5	0.81	1.15
WWE7.5-18-575-213T	7.44	200	330	89.5	0.81	1.15
WWE7.5-12-254T	10.6	230	300	89.5	0.71	1.15
WWE7.5-9-256T	11.2	200	300	85.5	0.72	1.15
WWE10-36-215T	11.2	220	330	89.5	0.89	1.15
WWE10-18-215T	12.4	200	300	89.5	0.83	1.15
WWE10-18-575-215T	9.92	200	300	89.5	0.83	1.15
WWE10-12-256T	14.0	220	300	89.5	0.74	1.15
WWE10-9-284T	14.2	200	300	88.5	0.75	1.15
WWE15-36-215T	17.6	230	380	90.2	0.86	1.15
WWE15-36-254T	16.6	180	290	90.2	0.87	1.15
WWE15-18-254T	17.7	170	270	91.0	0.84	1.15
WWE15-18-575-254T	14.2	170	270	91.0	0.84	1.15
WWE15-12-284T	19.2	200	270	90.2	0.78	1.15
WWE15-9-286T	20.5	200	280	88.5	0.76	1.15

Model Number	FL Amps 460 V	LRT (%)	BDT (%)	FL Eff. (%)	FL P.F.	S.F.
WWE20-36-256T	22.5	170	260	90.2	0.88	1.15
WWE20-18-256T	23.8	170	260	91.0	0.84	1.15
WWE20-18-575-256T	19.0	170	260	91.0	0.84	1.15
WWE20-12-286T	25.9	180	240	90.2	0.80	1.15
WWE20-9-324T	27.3	160	230	89.5	0.77	1.15
WWE25-36-256T	28.0	150	240	91.0	0.89	1.15
WWE25-36-284T	27.9	180	260	91.0	0.87	1.15
WWE25-36-284TS	27.9	180	260	91.0	0.87	1.15
WWE25-18-284T	28.2	170	240	92.4	0.87	1.15
WWE25-18-575-284T	22.6	170	240	92.4	0.87	1.15
WWE25-18-284TS	28.2	170	240	92.4	0.87	1.15
WWE25-12-324T	30.0	180	270	91.7	0.77	1.15
WWE25-9-326T	33.3	160	230	89.5	0.78	1.15
WWE30-36-286T	32.9	200	290	91.0	0.89	1.15
WWE30-36-286TS	32.9	200	290	91.0	0.89	1.15
WWE30-18-286T	33.6	170	270	92.4	0.88	1.15
WWE30-18-575-286T	26.9	170	270	92.4	0.88	1.15
WWE30-18-286TS	33.6	170	270	92.4	0.88	1.15
WWE30-12-326T	35.4	170	260	91.7	0.78	1.15
WWE30-9-364T	38.9	170	230	91.0	0.78	1.15
WWE40-36-286T	45.0	160	280	91.7	0.88	1.15
WWE40-36-286TS	45.0	160	280	91.7	0.88	1.15
WWE40-36-324T	46.3	220	300	91.7	0.88	1.15
WWE40-36-324TS	46.3	220	300	91.7	0.88	1.15
WWE40-18-324T	46.5	190	290	93.0	0.86	1.15
WWE40-18-575-324T	37.4	190	290	93.0	0.86	1.15
WWE40-18-324TS	46.5	190	290	93.0	0.86	1.15
WWE40-12-364T	47.5	170	250	93.0	0.82	1.15
WWE40-9-365T	52.4	170	200	91.0	0.79	1.15
WWE50-36-326T	56.7	210	300	92.4	0.88	1.15
WWE50-36-326TS	56.7	210	300	92.4	0.88	1.15
WWE50-18-326T	57.3	180	280	93.0	0.86	1.15
WWE50-18-575-326T	45.8	180	280	93.0	0.86	1.15
WWE50-18-326TS	57.3	180	280	93.0	0.86	1.15
WWE50-12-365T	58.3	170	250	93.0	0.81	1.15
WWE50-9-404T	65.0	168	215	91.7	0.78	1.15

Industrial Duty Three-Phase Motors



Performance Data (60 HP - 500 HP)

Model Number	FL Amps 460 V	LRT (%)	BDT (%)	FL Eff. (%)	FL P.F.	S.F.
WWE60-36-364T	66.9	210	260	93.0	0.87	1.15
WWE60-36-364TS	66.9	210	260	93.0	0.87	1.15
WWE60-18-364T	69.7	180	270	93.6	0.85	1.15
WWE60-18-575-364T	55.8	180	270	93.6	0.85	1.15
WWE60-18-364TS	69.7	180	270	93.6	0.85	1.15
WWE60-12-404T	71.0	180	250	93.6	0.83	1.15
WWE60-9-405T	80.0	180	230	91.7	0.77	1.15
WWE75-36-365T	83.2	200	250	93.0	0.87	1.15
WWE75-36-365TS	83.2	200	250	93.0	0.87	1.15
WWE75-18-365T	86.4	180	240	94.1	0.84	1.15
WWE75-18-575-365T	69.1	180	240	94.1	0.84	1.15
WWE75-18-365TS	86.4	180	240	94.1	0.84	1.15
WWE75-12-405T	89.0	180	240	93.6	0.84	1.15
WWE75-9-444T	95.0	145	215	93.0	0.78	1.15
WWE100-36-405TS	110	160	260	93.6	0.89	1.15
WWE100-18-405T	115	200	290	94.5	0.87	1.15
WWE100-18-575-405T	92.0	200	290	94.5	0.87	1.15
WWE100-18-405TBB	115	200	290	94.5	0.87	1.15
WWE100-18-405TSBB	115	200	290	94.5	0.87	1.15
WWE100-12-444T	119	160	260	94.1	0.82	1.15
WWE100-9-445T	131	135	210	93.0	0.77	1.15
WWE125-36-444TS	137	120	240	94.5	0.90	1.15
WWE125-18-444T	137	170	250	94.5	0.86	1.15
WWE125-18-575-444T	110	170	250	94.5	0.86	1.15
WWE125-18-444TBB	137	170	250	94.5	0.86	1.15
WWE125-18-444TSBB	137	170	250	94.5	0.86	1.15
WWE125-12-445T	141	150	240	94.1	0.81	1.15
WWE125-9-445/7T	154	145	210	93.6	0.78	1.15
WWE150-36-445TS	166	170	290	94.5	0.88	1.15
WWE150-18-445T	163	180	250	95.0	0.87	1.15
WWE150-18-575-445T	130	180	250	95.0	0.87	1.15
WWE150-18-445TBB	163	180	250	95.0	0.87	1.15
WWE150-18-445TSBB	163	180	250	95.0	0.87	1.15
WWE150-12-445/7T	171	160	250	95.0	0.83	1.15
WWE150-9-449T	186	210	290	94.5	0.79	1.15
WWE200-36-447TS	219	170	270	95.0	0.91	1.15
WWE200-18-445/7T	223	200	280	95.0	0.87	1.15
WWE200-18-575-445/7T	178	200	280	95.0	0.87	1.15
WWE200-18-445/7TBB	223	200	280	95.0	0.87	1.15
WWE200-18-445/7TSBB	223	200	280	95.0	0.87	1.15
WWE200-12-449T	245	200	292	95.0	0.82	1.15
WWE200-12-505Z(UZ)	230	180	280	95.0	0.87	1.15
WWE200-9-449T	250	200	270	94.3	0.81	1.15

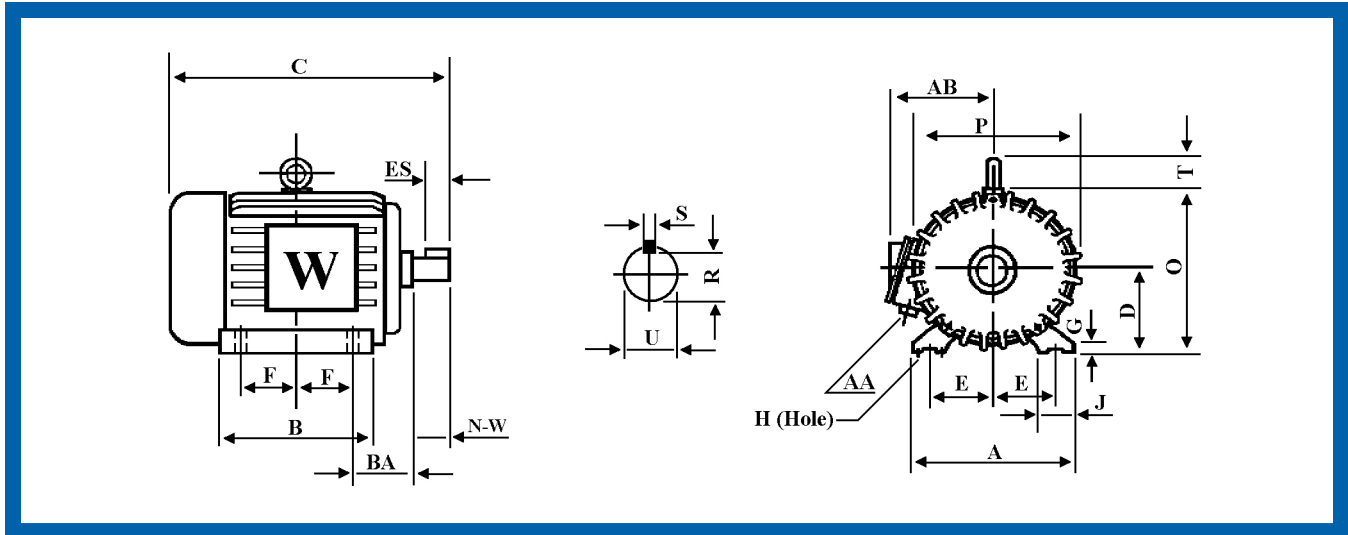
Model Number	FL Amps 460 V	LRT (%)	BDT (%)	FL Eff. (%)	FL P.F.	S.F.
WWE250-36-449TS	267	180	290	95.0	0.88	1.15
WWE250-18-449T	282	228	330	95.9	0.87	1.15
WWE250-18-575-449T	226	228	330	95.9	0.87	1.15
WWE250-18-449TBB	282	228	330	95.9	0.87	1.15
WWE250-18-449TSBB	282	228	330	95.9	0.87	1.15
WWE250-18-505Z(UZ)	276	190	270	94.8	0.90	1.15
WWE250-12-449T	300	188	279	95.4	0.82	1.15
WWE250-12-586/7(UZ)	286	180	280	94.5	0.86	1.15
WWE250-9-586/7(UZ)	309	180	290	94.4	0.79	1.15
WWE300-18-449T	334	226	326	95.7	0.88	1.15
WWE300-18-575-449T	267	226	326	95.7	0.88	1.15
WWE300-18-449TBB	334	226	326	95.7	0.88	1.15
WWE300-18-449TSBB	334	226	326	95.7	0.88	1.15
WWE300-18-586/7(UZ)	328	190	280	95.0	0.89	1.15
WWE300-18-575-586/7	262	190	280	95.0	0.89	1.15
WWE300-18-586/7BB	328	190	280	95.0	0.89	1.15
WWE300-12-449T	355	191	280	94.5	0.82	1.15
WWE300-12-586/7(UZ)	328	180	290	95.4	0.88	1.15
WWE300-9-586/7	364	180	290	94.9	0.80	1.15
WWE350-18-586/7(UZ)	385	180	270	95.0	0.89	1.15
WWE350-18-575-586/7	308	180	270	95.0	0.89	1.15
WWE350-18-586/7UZBB	385	180	270	95.0	0.89	1.15
WWE350-12-586/7(UZ)	393	180	280	95.1	0.87	1.15
WWE400-18-586/7(UZ)	430	200	300	95.3	0.90	1.15
WWE400-18-575-586/7	344	200	300	95.3	0.90	1.15
WWE400-18-586/7BB	430	200	300	95.3	0.90	1.15
WWE400-12-586/7(UZ)	444	170	300	95.0	0.88	1.15
WWE450-18-586/7(UZ)	478	200	320	96.1	0.90	1.0
WWE450-18-575-586/7	382	200	320	96.1	0.90	1.0
WWE450-12-586/7(UZ)	501	190	307	95.8	0.86	1.0
WWE500-18-586/7(UZ)	539	228	320	95.8	0.90	1.15
WWE500-18-575-586/7	431	228	320	95.8	0.90	1.15
WWE500-18-586/7BB	539	228	320	95.8	0.90	1.15
WWE500-12-586/7(UZ)	557	225	270	95.0	0.87	1.0

**All Ratings Meet Or
Exceed EPACT Levels**

Industrial Duty Three-Phase Motors



Dimensions (Frames 143T - 586/7UZ)



Frame Size	A	B	C	D	E	F	G	H	J	N-W	O	P	R	S	T	U	ES	AA	AB	BA
143T	7	5	12.47	3.5	2.75	2	0.512	0.34	1.45	2.25	7.08	7.16	0.771	0.188	---	0.875	1.41	3/4	6.89	2.25
145T	7	6	13.466	3.5	2.75	2.5	0.512	0.34	1.45	2.25	7.08	7.16	0.771	0.188	---	0.875	1.41	3/4	6.89	2.25
182T	9	6.5	15.11	4.5	3.75	2.25	0.59	0.41	1.97	2.75	9	8.82	0.986	0.25	1.4	1.125	1.78	1	7.45	2.75
184T	9	7.5	16.116	4.5	3.75	2.75	0.59	0.41	1.97	2.75	9	8.82	0.986	0.25	1.4	1.125	1.78	1	7.45	2.75
213T	10.5	7.5	18.89	5.25	4.25	2.75	0.709	0.41	2.36	3.375	10.5	10.4	1.201	0.312	1.75	1.375	2.41	1	8.63	3.5
215T	10.5	9	20.488	5.25	4.25	3.5	0.709	0.41	2.36	3.375	10.5	10.4	1.201	0.312	1.75	1.375	2.41	1	8.63	3.5
254T	12.5	10.8	23.292	6.25	5	4.125	0.787	0.53	2.76	4	12.79	12.6	1.416	0.375	2.15	1.625	2.91	1.5	11.2	4.25
256T	12.5	12.5	25.058	6.25	5	5	0.787	0.53	2.76	4	12.79	12.6	1.416	0.375	2.15	1.625	2.91	1.5	11.2	4.25
284T	14	12.5	26.63	7	5.5	4.75	0.866	0.53	2.76	4.625	13.98	13.98	1.591	0.5	2.35	1.875	3.28	1.5	12	4.75
284TS	14	12.5	25.25	7	5.5	4.75	0.866	0.53	2.76	3.25	13.98	13.98	1.416	0.375	2.35	1.625	1.91	1.5	12	4.75
286T	14	14	28.182	7	5.5	5.5	0.866	0.53	2.76	4.625	13.98	13.98	1.591	0.5	2.35	1.875	3.28	1.5	12	4.75
286TS	14	14	26.8	7	5.5	5.5	0.866	0.53	2.76	3.25	13.98	13.98	1.416	0.375	2.35	1.625	1.91	1.5	12	4.75
324T	16	14	29.95	8	6.25	5.25	0.984	0.66	2.76	5.25	15.8	15.55	1.845	0.5	2.55	2.125	3.91	2	13.4	5.25
324TS	16	14	28.45	8	6.25	5.25	0.984	0.66	2.76	3.75	15.8	15.55	1.591	0.5	2.55	1.875	2.03	2	13.4	5.25
326T	16	15.5	31.236	8	6.25	6	0.984	0.66	2.76	5.25	15.8	15.55	1.845	0.5	2.55	2.125	3.91	2	13.4	5.25
326TS	16	15.5	29.74	8	6.25	6	0.984	0.66	2.76	3.75	15.8	15.55	1.591	0.5	2.55	1.875	2.03	2	13.4	5.25
364T	18	15.2	32.58	9	7	5.625	1.102	0.66	2.95	5.875	18.02	17.4	2.021	0.625	2.55	2.375	4.28	3	15.7	5.88
364TS	18	15.2	30.45	9	7	5.625	1.102	0.66	2.95	3.75	18.02	17.4	1.591	0.5	2.55	1.875	2.03	3	15.7	5.88
365T	18	16.2	34.114	9	7	6.125	1.102	0.66	2.95	5.875	18.02	17.4	2.021	0.625	2.55	2.375	4.28	3	15.7	5.88
365TS	18	16.2	31.45	9	7	6.125	1.102	0.66	2.95	3.75	18.02	17.4	1.591	0.5	2.55	1.875	2.03	3	15.7	5.88
404T	20	16.2	36.81	10	8	6.125	1.18	0.81	3.15	7.25	20.91	21.42	2.45	0.75	2.55	2.875	5.65	3	18.07	6.62
405T	20	17.8	38.35	10	8	6.875	1.18	0.81	3.15	7.25	20.91	21.42	2.45	0.75	2.55	2.875	5.65	3	18.07	6.62
405TS	20	17.8	35.354	10	8	6.875	1.18	0.81	3.15	4.25	20.91	21.42	1.845	0.5	2.55	2.125	2.78	3	18.07	6.62
444T	22	18.5	42.52	11	9	7.25	1.38	0.81	3.35	8.5	23.68	23.43	2.88	0.875	2.75	3.375	6.91	2 x 3	19.07	7.5
444TS	22	18.5	38.94	11	9	7.25	1.38	0.81	3.35	4.75	23.68	23.43	2.021	0.625	2.75	2.375	3.03	2 x 3	19.07	7.5
445T	22	20.5	44.5	11	9	8.25	1.38	0.81	3.35	8.5	23.68	23.43	2.88	0.875	2.75	3.375	6.91	2 x 3	19.07	7.5
445TS	22	20.5	40.71	11	9	8.25	1.38	0.81	3.35	4.75	23.68	23.43	2.021	0.625	2.75	2.375	3.03	2 x 3	19.07	7.5
447T	22	24	48.03	11	9	10	1.38	0.81	3.35	8.5	23.68	23.43	2.88	0.875	2.75	3.375	6.91	2 x 3	19.07	7.5
447TS	22	24	44.25	11	9	10	1.38	0.81	3.35	4.75	23.68	23.43	2.021	0.625	2.75	2.375	3.03	2 x 3	19.07	7.5
449T	22	31	55.27	11	9	12.5	1.575	0.81	3.35	8.5	23	23.62	2.88	0.875	4.25	3.375	6.91	2 x 3	19	7.5
505UZ	24.7	26	55	12.5	10	9	1.77	0.938	4.72	11.625	25.2	24.8	3.309	1	4.3	3.875	10	2 x 3	20.9	8.5
586/7	28.7	31.1	64.6	14.5	11.5	11	2.05	1.125	4.72	11.625	28.4	28.2	3.309	1	5	3.875	10	2 x 3	23.9	10
586/7UZ	28.7	31.1	64.6	14.5	11.5	11	2.05	1.125	4.72	11.625	28.4	28.2	3.817	1	5	4.375	10	2 x 3	23.9	10