

BXAUDIO4X4 MULTI-ZONE ENTERTAINMENT SYSTEM

NO PC PROGRAMMING REQUIRED! SIMPLE FOUR ZONE AUDIO SYSTEM IN ONE PACKAGE

FOUR ZONE/FOUR SOURCE CONTROLLER/AMPLIFIER SYSTEM

The BXAUDIO4X4 System is a whole-house audio distribution, amplification and control system with all the power and flexibility of the MRAUDIO4X4 Controller including built-in amplification, power management, routable IR, and expansion to 8 zones with the ease of direct, front panel IR learning through Xantech's XPS Programming™ Technology.

The BXAUDIO4X4 system includes:

- One BXAUDIO4X4CTL Controller/Amplifier
- Four White LC4KP Keypads (pn LC4KP)
- Four Individual hand-held remotes (pn MRCREM)
- Four IR Emitters (pn 283M)
- Expansion Cable
- Installation Instructions
- Four speaker connector plugs

Order: BXAUDIO4X4SYS



BXAUDIO4X4SYS SYSTEM +(4) XC SPEAKER MODELS

The BXAUDIO system can also be packaged with speakers.



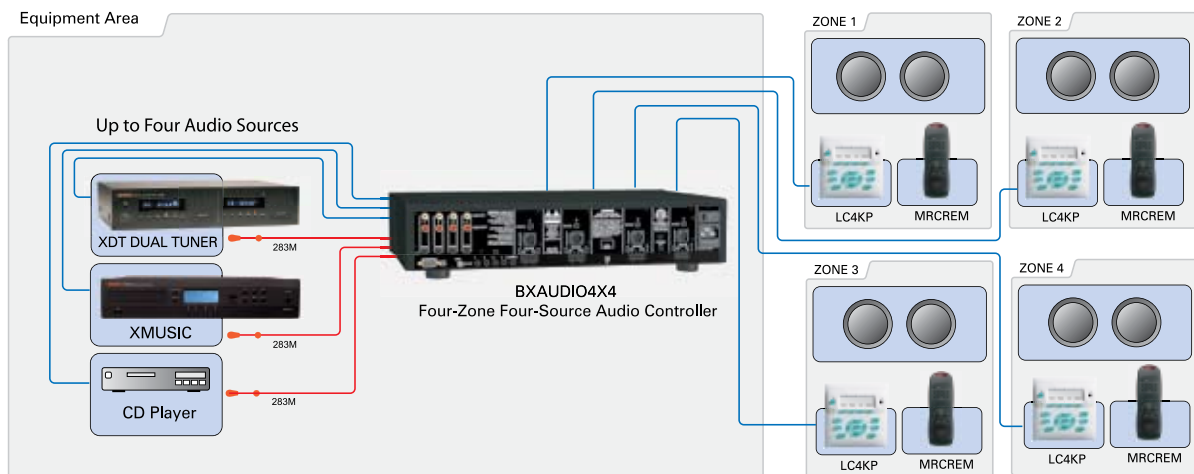
The BXVALUE package is an excellent 4-zone multi-room audio system

Order: BXVALUE +W, C,and/or S (one for each zone)

- 6.5" In-Wall Speaker Pair = W
- 6.5" Ceiling Speaker Pair = C
- 6.5" Stereo Ceiling Speaker = S

	ZONE 1	ZONE 2	ZONE 3	ZONE 4
BXVALUE				

BXAUDIO4X4SYS SYSTEM DIAGRAM



MRAUDIO4X4CTL AUDIO CONTROLLER/AMPLIFIER

FOUR ZONE/FOUR SOURCE AUDIO CONTROLLER/AMPLIFIER

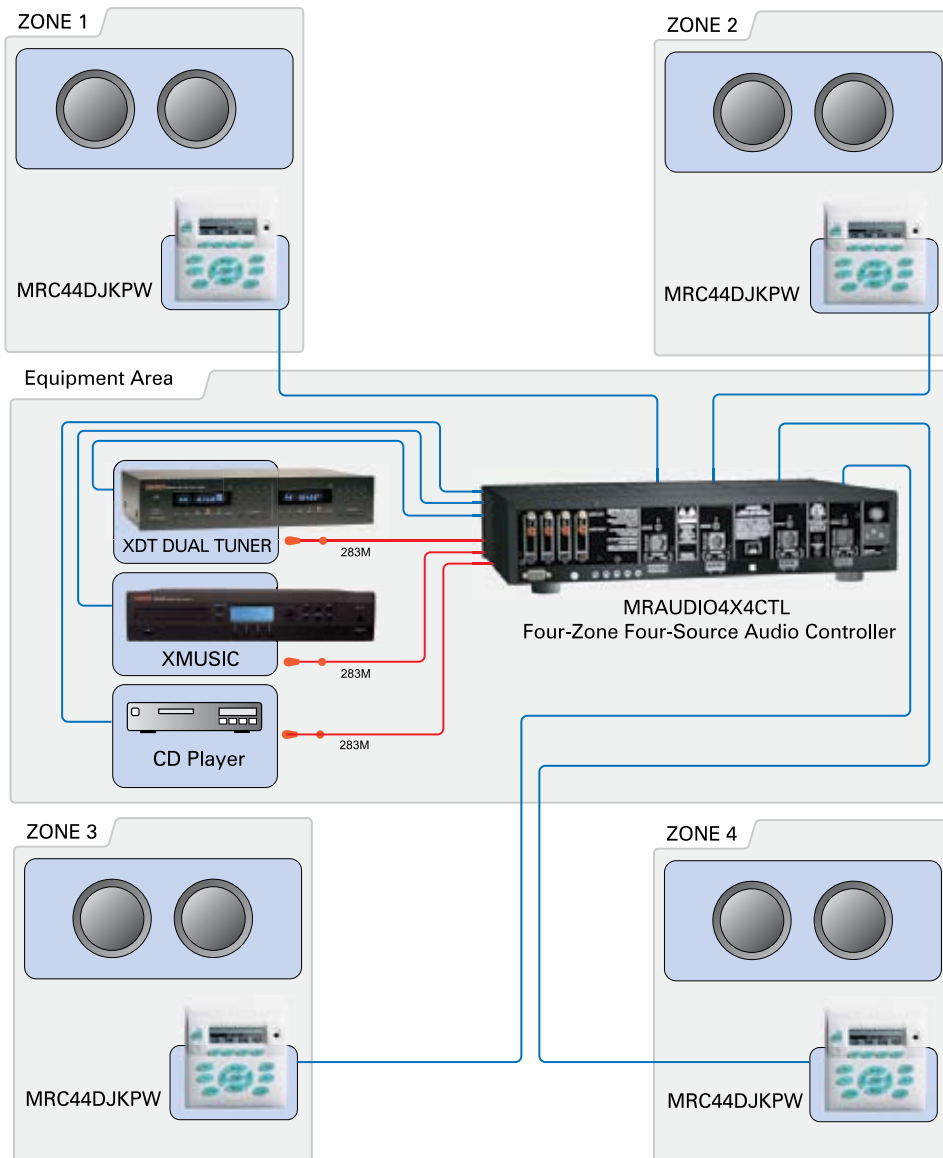
The MRAUDIO4X4CTL allows IR control of up to four source components distributed to four zones.

- Four Audio inputs
- Expandable to eight zones
- 2x25W/Ch per zone audio amplification
- Controlled through dedicated MRC44 keypads as well as SPLCD SmartPad LCD™
- Easily programmed through Universal Dragon-Drop IR™ software
- Programmable macros allow simplified device control
- Intelligent Power Management for positive device control
- Volume and EQ status feedback through MRC44 keypads

Order MRAUDIO4X4CTL



MRAUDIO4X4CTL SYSTEM DIAGRAM



The Xantech MRAUDIO4X4 creates four separate listening zones where each zone can select a different source.

MRC44CTL AUDIO/VIDEO CONTROLLER/AMPLIFIER

FOUR ZONE/FOUR SOURCE AUDIO/VIDEO CONTROLLER/AMPLIFIER

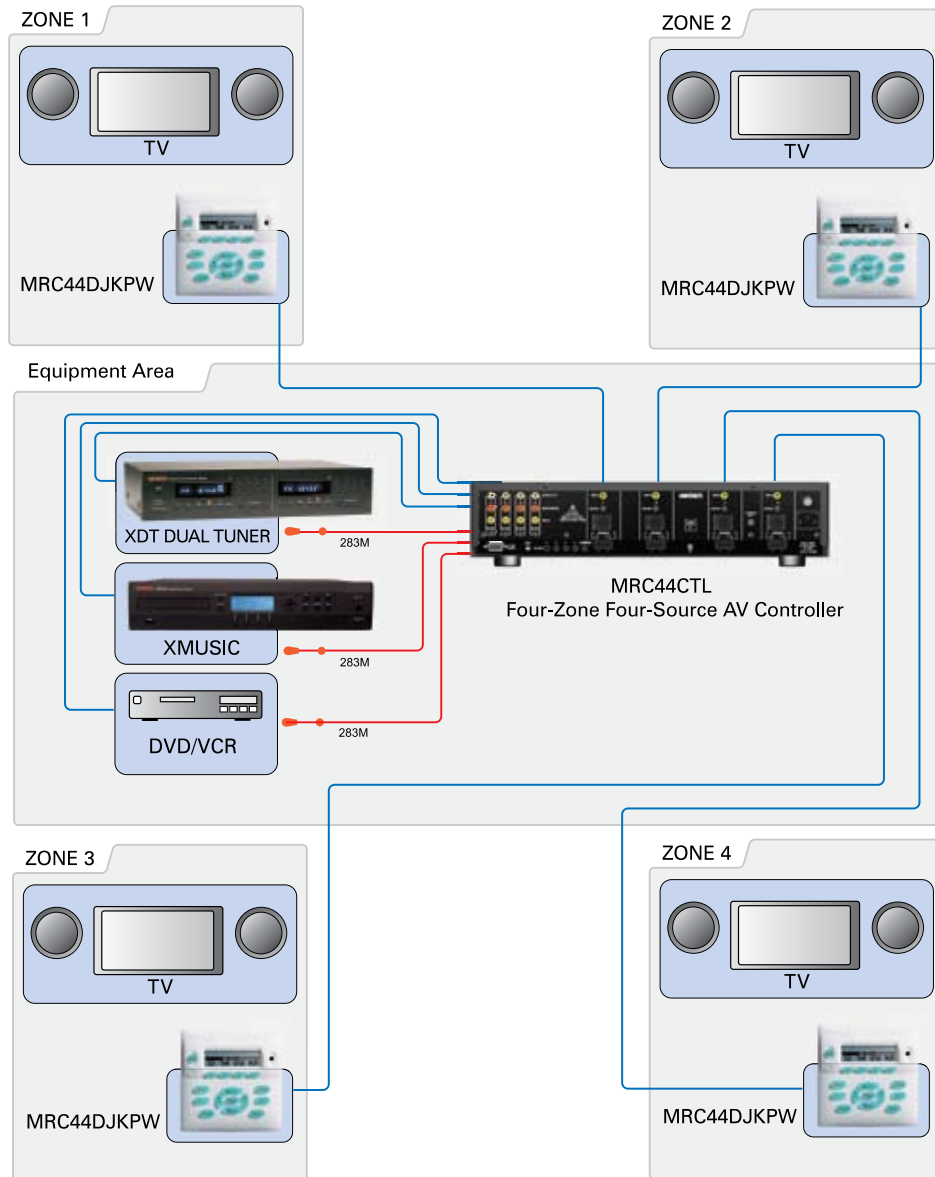
The MRC44CTL allows IR control of up to four A/V source components distributed to four zones.

- Four Audio inputs
- Four Video inputs
- Expandable to eight zones
- 2x25W/Ch per zone audio amplification
- Controlled through dedicated MRC44 keypads as well as SPLCD SmartPad LCD™
- Easily programmed through Universal Dragon-Drop IR™ software
- Programmable macros allow simplified device control
- Intelligent Power Management for positive device control
- Volume and EQ status feedback through MRC44 keypads

Order MRC44CTL



MRC44CTL SYSTEM DIAGRAM



Watch what you want where you want it with the MRC44CTL System

MRAUDIO8X8CTL AUDIO CONTROLLER/AMPLIFIER

EIGHT ZONE/EIGHT SOURCE AUDIO CONTROLLER/AMPLIFIER

The MRAUDIO8X8CTL is an eight-source, eight-zone audio distribution amplifier that allows the control and distribution of eight separate source components to eight different zones, with the capacity to expand to up to sixteen zones of control and distribution. It allows control of source components through both RS232 and IR.

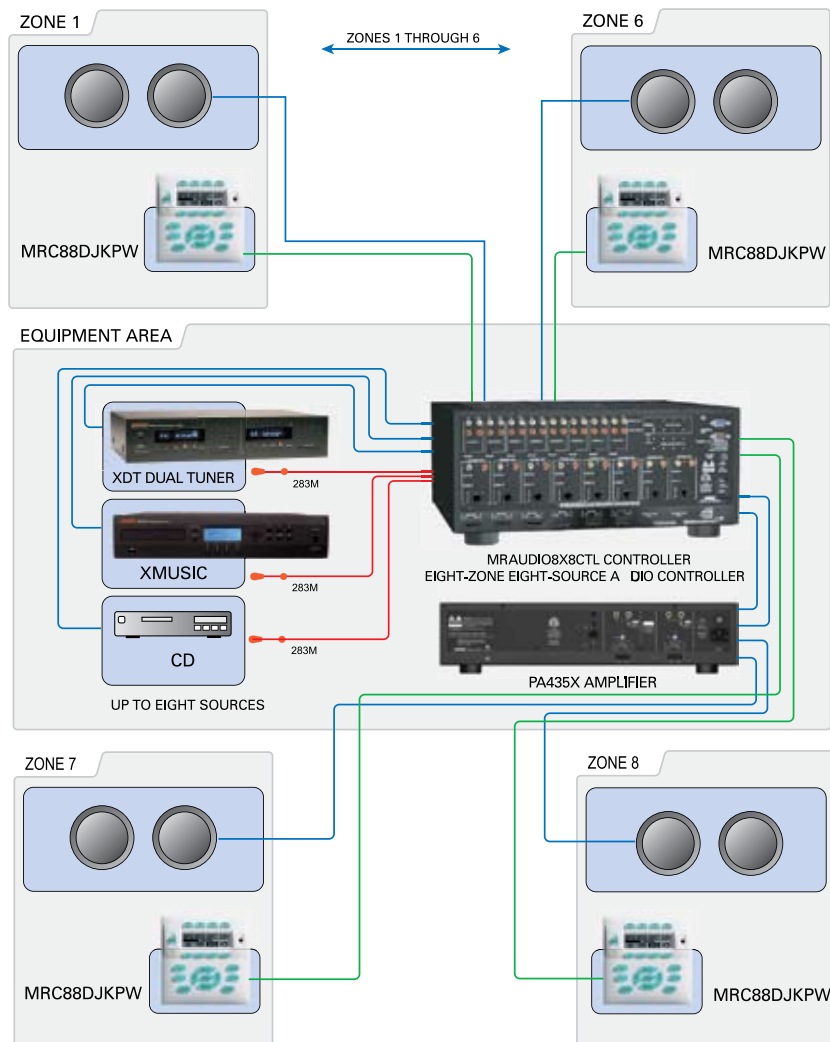
- Eight Audio inputs
- Eight zone-specific stereo pre amp outputs
- Expandable to 16 zones
- Six zones (2x35W/Ch); Two zones pre amp out only
- Controllable through SPLCD SmartPad LCD™ as well as dedicated MRC88 keypads
- Easily programmed through Universal Dragon-Drop IR™ software
- Programmable macros allows simplified device control
- Intelligent Power Management for positive device control through current sense on all 8 source inputs
- 16 routable IR ports
- Two routable bi-directional RS232 ports

Order MRAUDIO8X8CTL



MRAUDIO8X8CTL SYSTEM DIAGRAM

The Xantech MRAUDIO8X8 System delivers music to eight zones



MRC88CTL AUDIO/VIDEO CONTROLLER/AMPLIFIER

EIGHT ZONE/EIGHT SOURCE AUDIO/VIDEO CONTROLLER/AMPLIFIER

The MRC88CTL is an eight-source, eight-zone A/V distribution amplifier that allows the control and distribution of eight separate source components to eight different zones, with the capacity to expand to up to sixteen zones of control and distribution. It allows control of source components through both RS232 and IR.

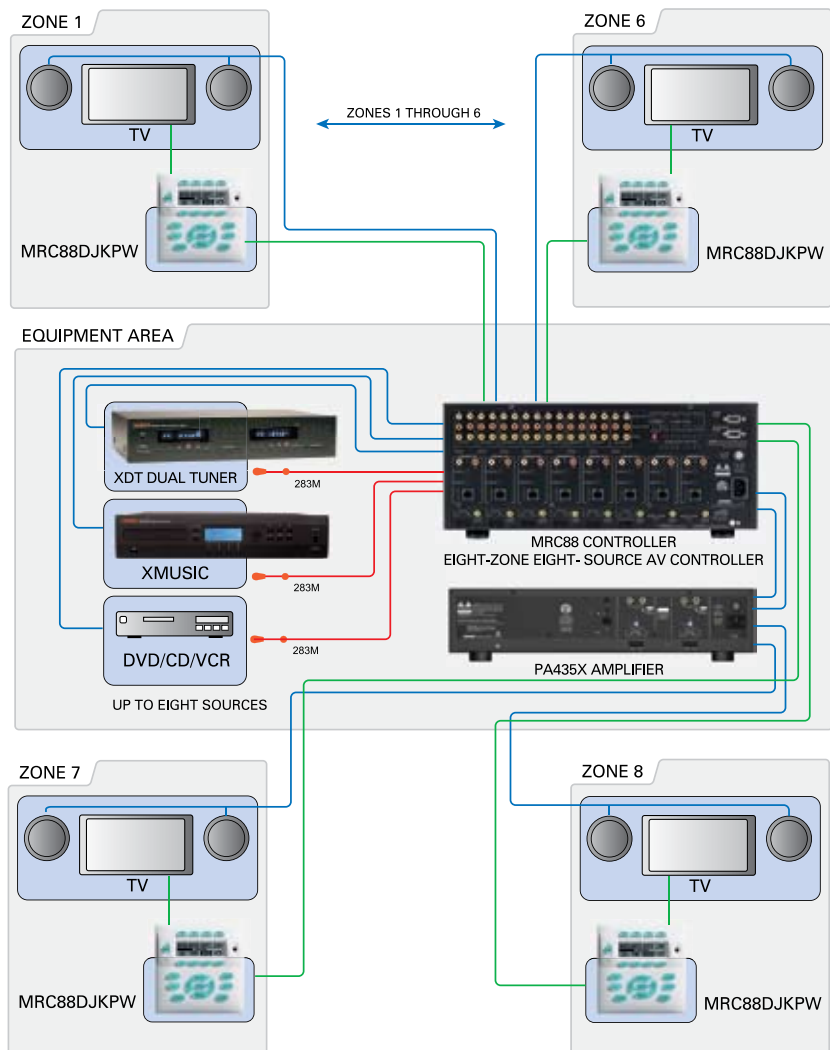
- Eight Audio inputs
- Eight Video inputs
- Eight zone-specific stereo pre amp outputs
- Expandable to 16 zones
- Six zones (2x35W/Ch); Two zones pre amp out only
- Controllable through SPLCD SmartPad LCD™ as well as dedicated MRC88 keypads
- Easily programmed through Universal Dragon-Drop IR™ software
- Programmable macros allows simplified device control
- Intelligent Power Management for positive device control through video and current sense on all 8 source inputs
- 16 routable IR ports
- Two routable bi-directional RS232 ports
- Also available in 230 VAC / 50 Hz.

Order MRC88CTL



MRC88CTL SYSTEM DIAGRAM

Xantech gives you the ability to distribute Audio and Video to eight areas.



MULTI-ZONE CONTROL INTERFACE IN-WALL LCD TOUCHSCREENS

6.4" SMARTPAD LCD VIDEO TOUCHPANEL

The SPLCD64V combines video display with the convenience and simple operation of a self-contained touchpanel controller. Its 640 x 480 resolution, with 64K color, provides outstanding graphics and a remarkable video image, which may be displayed full screen, or as picture-in-picture.

- Touchpanel controller with video display
- Fully customizable display graphics
- Video image may be displayed full-screen, or PiP mode
- Stand-alone device to output IR and/or RS232 commands
- Internal pre-programmed IR code library, as well as capability to learn IR commands
- Built-in IR receiver
- SPLCDPS1 Power supply required (p38)
- Front panel IR learning eye
- Integrated Macronizer executes long macros without errors

Order: SPLCD64VW



6.4" SMARTPAD LCD GRAPHIC TOUCHPANEL

The SPLCD64G gives users the convenience and simplicity of a touchpanel controller in a self-contained unit that is easy to install, easy to program, and, perhaps best of all, easy to afford. Its 640 x 480 resolution with 64K color provides outstanding graphics and clarity.

- Stand-alone device to output IR and/or RS232 commands
- Fully customizable display graphics
- XDT Station feedback, and XMUSIC song title navigation
- Internal pre-programmed IR code library, as well as capability to learn IR commands
- Built-in IR code library
- Built-in IR receiver
- SPLCDPS1 Power supply required (p38)
- Front panel IR learning eye
- Fully compatible with the MRC88 / MRAUDIO8X8 controllers with bi-directional status indication

Order: SPLCD64GW



3.9" SMARTPAD LCD GRAPHIC TOUCHPANEL

The SPLCD39G brings the convenience, elegance, and simplicity of a LCD touchscreen controller to a smaller sized, self-contained unit that fits in just about anywhere. Its 320 x 240 resolution with 256 colors provides remarkable graphics and clarity.

- Stand-alone device to output IR and/or RS232 commands
- Fully customizable display graphics
- XDT Station feedback, and XMUSIC song title navigation
- Internal pre-programmed IR code library, as well as capability to learn IR commands
- Built-in IR code library
- Built-in IR receiver
- SPLCDPS1 Power supply required (p38)
- Front panel IR learning eye
- Fully compatible with the MRC88 / MRAUDIO8X8 controllers with bi-directional status indication

Order: SPLCD39GW



MULTI-ZONE CONTROL INTERFACE LCD TOUCHSCREEN REMOTE

HAND-HELD LCD TOUCHSCREEN REMOTE

The XTR39 is a stylish, simple-to-use remote control that can be personalized via its vivid full color 3.9" touchscreen display: button layout can be customized; easily identified icons created for virtually any function or command; and multiple screen pages allow less frequently used buttons to be concealed.

- Vivid 3.9" Color LCD touchscreen display
- Fully customizable screen graphics and functions
- Capable of controlling virtually every major home system
- Hard buttons for frequently used commands
- Four easy access programmable macro buttons
- Comes complete with power supply and charging cradle

Order: XTR39



RF BASE STATION FOR XTR39

The RF2IR* base station is the ultimate accessory to the Xantech XTR39 Color LCD remote control. It's a receiver that accepts the Radio Frequency output of the XTR39 remote and translates it into IR and RS232 command signals that can control virtually any home electronic device. The RF2IR makes it simple to set up a reliable and sophisticated multi-room control system that is easily controlled by the intuitive LCD touchscreen control of the XTR39 remote.

- Control your components up to 100 feet away** even through walls!
- Plasma, LCD, and Sunlight proof operation
- RF signal based on the dependable IEEE 802.15.4 standard
- 16 selectable sub-channels ensure interference-free operation
- Single XTR39 can control up to 256 RF2IR base stations for virtually limitless control possibilities
- Four routable IR outputs make it simple to control the source components of virtually any home entertainment system
- RS232 output makes it possible to control display devices, lighting controls and more with discrete command codes for performance
- Selectable front panel IR 'Blaster'
- Comes complete with (1) power supply (4) 283M IR Emitters (1) RS232 Cable

Order: RF2IR



*RF2IR and XTR39 are sold separately **Depending on local conditions, range may vary

MRC88CTL - MRAUDIO8X8CTL KEYPAD WITH LCD DISPLAY

- Flush-mount in dual gang J-box
- Keypad dimensions (W, D, H) 5" x 1.5" x 5"
- Keypads have LCD Screen for Source Status and Source Feedback Display
- Backlit function buttons for ease of use in low light situations
- Keypad connection to controller/amplifier via CAT5 cable terminated with RJ45 connectors
- Maximum 4 keypads per zone
- Available in white, almond, ivory and black

Order Almond: MRC88DJKPA

Order Black: MRC88DJKPB

Order Ivory: MRC88DJKPI

Order White: MRC88DJKPW



MRC44CTL - MRAUDIO4X4CTL KEYPAD WITH LCD DISPLAY

- Flush-mount in dual gang J-box
- Keypad dimensions (W, D, H) 5" x 1.5" x 5"
- Keypads have LCD Screen for Source Status and Source Feedback Display
- Backlit function buttons for ease of use in low light situations
- Keypad connection to controller/amplifier via CAT5 cable terminated with RJ45 connectors
- Maximum 4 keypads per zone
- Available in white, almond, ivory and black

Order Almond: MRC44DJKPA

Order Black: MRC44DJKPB

Order Ivory: MRC44DJKPI

Order White: MRC44DJKPW



MRC88CTL - MRAUDIO8X8CTL EIGHT SOURCE DUAL GANG KEYPAD

- Keypad connection to controller/amplifier via CAT5 cable terminated with RJ45 connectors
- Flush-mount in dual gang J-Box
- Keypad dimensions 4.5 x 1.5" x 4.5"
- Maximum 4 keypads per zone
- Customizable source labels
- Available in white

Order Eight Source White: LC8KPW



MRC44CTL - MRAUDIO4X4CTL FOUR SOURCE DUAL GANG KEYPAD

- Keypad connection to controller/amplifier via CAT5 cable terminated with RJ45 connectors
- Flush-mount in dual gang J-Box
- Keypad dimensions 4.5 x 1.5" x 4.5"
- Maximum 4 keypads per zone
- Customizable source labels
- Available in white

Order Four Source White: LC4KPW



MRC / MRAUDIO ACCESSORIES**HAND-HELD REMOTE**

- Preprogrammed remote designed to work with the MRC88, MRC44 & BXAUDIO
- No programming required. Works right out of the box.

Order: MRCREMRP**MRC KEYPAD SPLITTER**

- Allows two MRC keypads to be used in a zone without the need to "daisy-chain" them
- Allows each keypad wire to be "home-run" to the MRC Controller
- Provides additional IR receiver input

Order: MRCKPSP**SPEAKER LEVEL TO LINE LEVEL CONVERTER**

- Converts speaker level output to line level
- Use with amp outputs of MRC44/MRAUDIO44 for use with auxiliary amplifier

Order: SLLC1**MRC44CB1 CONNECTING BLOCK**

- Add external Xantech IR Receivers in conjunction with MRC44/88 Keypads
- Extend maximum distance of secondary MRC keypad to 600 feet
- External power supply selector jumper enables use of external 12V supply for longer cable runs and applications requiring higher current capacity supplies
- Requires 782ERGPS Power Supply

Order: MRC44CB1**ZONE AUDIO INPUT KIT**

Allows Zone Audio and Video connection with IR control. Perfect for connecting local in-room source equipment to an A/V distribution system through Cat 5 cable over 300' away

- Fits in single gang J-box
- Connections for Composite Video, Stereo Audio, IR control
- Comes complete with power supply

Order: ZAKIT**ZONE AUDIO TRANSMITTER**

- Single gang Decora style plate
- Transmit line level audio over CAT5 cable up to 300'

Order: ZATRAN**ZONE AUDIO RECEIVER**

- Allows up to eight local audio inputs to be elegantly connected to the Zone Audio Inputs on a MRC/MRAUDIO Controller
- Accepts input of up to eight ZATRAN Zone Audio Transmitters

Order: ZA8REC**MRC88CTL - MRAUDIO8X8CTL 15-pin to 9-pin EXPANSION CABLE**

- 15-pin to 9-pin expansion cable for use with MRC88CTL/MRAUDIO8X8
- Enables expansion port to be used with XMUSIC, XDT or any RS232 device

Order: 05913665**NULL MODEM EXPANSION CABLE**

Used for MRC44CTL / MRAUDIO4X4 / BXAUDIO4X4 expansion. **Order: 05913560**

DOORBELL PAGING CONTROLLER

- Combines existing home phone system and MRC88CTL/MRAUDIO8X8CTL to provide whole-house paging and doorbell capability
- Add Doorbell Communicator and Doorbell Communicator Hub to the Doorbell Paging Controller on a MRC88CTL/MRAUDIO8X8CTL system for a complete entry control and paging solution.
- Complete with power supply

Order: DPC100



DOORBELL COMMUNICATOR

Single-gang mounted entry intercom and doorbell

- Use with Doorbell Communicator Hub to add whole-house doorbell capability and entry intercom to a MRC88CTL/MRAUDIO8X8CTL system
- Available in Stainless Steel or Oil Rubbed Bronze
- Requires Doorbell Communication Hub DCH4

Order Stainless Steel: DCSS

Order Bronzed Black: DCCBB

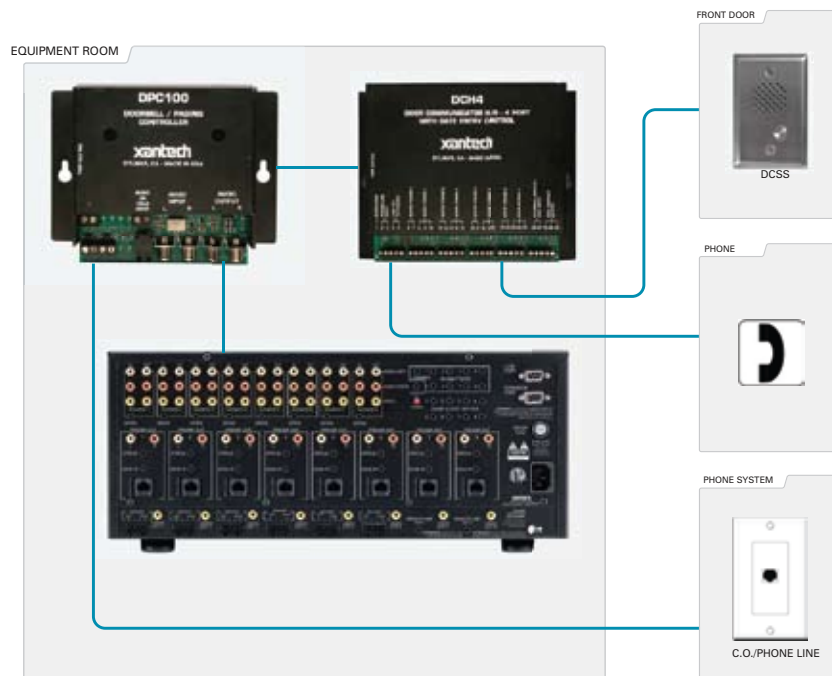


DOORBELL COMMUNICATOR HUB

Keyless entry controller for use with the MRC88CTL/MRAUDIO8X8CTL controller

- Answer and open up to 4 doors or gates from your nearest phone
- Provides two different door chimes and whole-house paging when combined with DPC100 and MRC88CTL/MRAUDIO8X8CTL
- Allows whole-house doorbell capability with MRC88CTL/MRAUDIO8X8CTL
- Use with Doorbell Communicator DCSS or DCCBB
- Complete with power supply

Order: DCH4

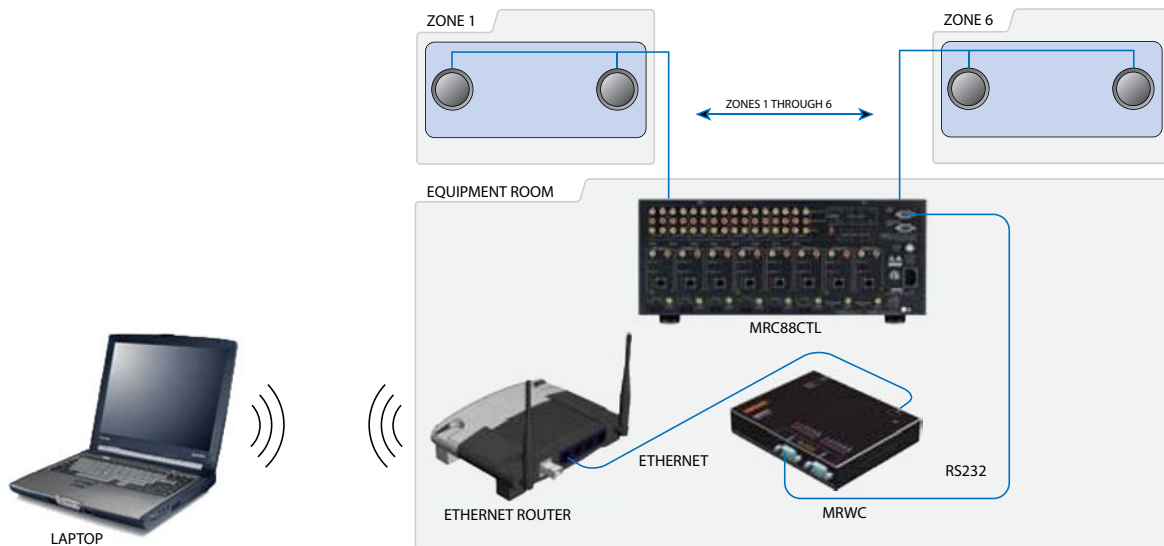


ETHERNET MRC88CTL CONTROL INTERFACE

Xantech's technical advances have led to the creation of the MRWC Multi-Room Web Controller. Right out of the box, the MRWC is capable of controlling Xantech's award-winning MRC88 and MRAUDIO8X8 distribution amplifiers from a web-based platform. The integrated web server enables Xantech products to be accessed, monitored and controlled from any computer connected to a Local Area Network (LAN)

- RS232/422/485 Serial ports – Fully configurable bi-directional serial port to control A/V devices.
- Integrated Web server – The MRWC features a built-in webpage to control Xantech products.
- Multi-user support – Advanced operating system supports multiple, non-exclusive, connections from several computers simultaneously. Access via a maintenance kiosk and laptop computer can occur at the same time.
- Comes complete with power supply.

Order: MRWC



SOURCE COMPONENTS

XMUSICw+ DIGITAL MUSIC SERVER



This high quality digital music server can hold up to 2,800 hours of music (compressed) and 250 hours of music (uncompressed) that can be accessed with ease. Browse the music by song title, album, artist name, or genre. XMUSIC provides the capability to create and store custom play lists of specific music to play songs in order or randomly shuffling songs for a fresh variety. The amazing flexibility of this unit allows different songs to play in four separate areas of the home at the same time!

- Built in Web browser interface (supports Flash-enabled web browser)
- Easy connectivity of all portable MP3 devices (inc iPod) via network-attached PC or Mac
- Intuitive media navigation includes search by cover art, music genre, year of release and individual tracks.
- Record and play music in uncompressed WAV, MP3 and WMA formats
- Add new features via online software upgrades
- Audiophile sound quality using custom-engineered hi-fi electronics
- Four discrete analog audio outputs for independent multi-zone listening
- Fast, easy access to your entire music collection
- Select music by artist, CD, track, genre, or playlist

Order: XMUSICWP