

Model: 185FAB-Q**Fabricated Flanged End Basket Strainers**
Sizes: 2" - 24" (50 - 600mm)

185FAB-Q

Class 150



Model 185FAB-Q

Typical Service

- Mueller Steam Specialty fabricated strainers are designed to remove foreign particles from pipelines.
- These provide effective and economical protection of pumps, valves and similar more costly equipment.

Construction

- Butt-weld or Slip-on Flange connections
- Special design pressures and temperatures, corrosion allowances, marking and tagging and codes should be specified.
- ASME code stamp available

Baskets

- Standard material is 304SS.
- Specify other alloy material if required.
- Specify perforation and mesh size for proper particle retention.
- Consider maximum allowable pressure drop when specifying.

General

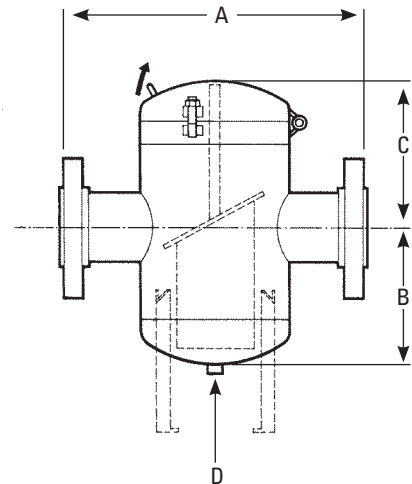
- See S-MS-ScreenOptions in the Mueller Steam Specialty Engineering binder for a partial listing of available options and specification guidelines. "B" signifies a bolted cover; "Q" signifies a quick opening cover.
- Consult factory for specific application information.

Dimensions and Weights

SIZE		DIMENSIONS						WEIGHTS			
		A		B		C		D (NPT)		CLASS 150	
in.	mm	in.	mm	in.	mm	in.	mm	in.	mm	lbs.	kgs.
4	100	26	660	10	254	8	203	1½	40	200	91
6	150	28	711	15	381	10	254	1½	40	325	147
8	200	30	762	20	508	14	356	1½	40	525	238
10	250	32	813	22	559	16	406	1½	40	690	313
12	300	34	864	26	660	16	406	2	50	1000	454
14	350	40	1016	28	711	18	457	2	50	1200	544
16	400	44	1118	30	762	20	508	2	50	1650	748
18	450	44	1118	36	914	22	559	2	50	1750	794
20	500	44	1118	40	1016	24	610	2	50	1850	839
24	600	50	1270	49	1245	29	737	2	50	3125	1418

Apply for Certified Drawings.

Larger sizes available. Consult Factory.



Model 185FAB-Q

Mueller Steam Specialty product specifications in U.S. customary units and metric are approximate and are provided for reference only. For precise measurements, please contact Mueller Steam Specialty Technical Service. Mueller Steam Specialty reserves the right to change or modify product design, construction, specifications, or materials without prior notice and without incurring any obligation to make such changes and modifications on Mueller Steam Specialty products previously or subsequently sold.



A Division of Watts Water Technologies, Inc.

USA: 1491 NC Hwy 20 West St. Pauls, NC 28384; www.muellersteam.com

Tel: 910-865-8241 Fax: 910-865-6220

Toll Free Phone 1-800-334-6259 Toll Free Fax: 1-800-421-6772