

## Actuators

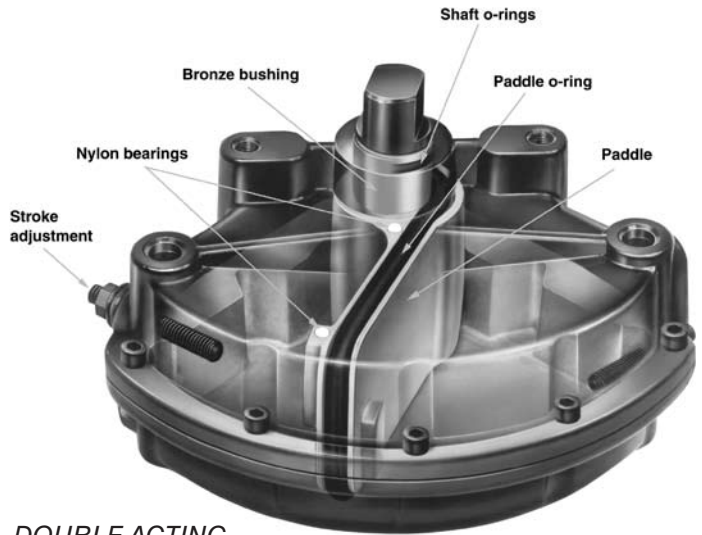
### VANE

#### Standard Features:

- Double acting and fail safe versions available
- Housing – Die-cast aluminum
- Operating Pressure – 40 to 120 PSIG
- Temperature Range – 0°F to 225°F
- Powerful actuation in a compact and lightweight package
- Only one moving part
- Dual external travel stops allow rotation adjustment of up to  $\pm 10^\circ$  at each end of the stroke
- Fail safe models use a pneumatic accumulator to assure valve closure upon loss of supply pressure
- Stacking two vane actuators enables 180° movement (2 or 3 position)

#### Optional Features:

- Limit switch
- Locking device
- Breather block
- Dribble control
- Sandwich de-clutchable manual gear override
- Solenoid valve
- Positioners
- PTFE interior coatings
- High or low temperature trim



*DOUBLE ACTING*



*FAIL SAFE*