


Fig. 69R - Retrofit Capable Beam Clamp Retaining Strap

 Component of State of California OSHPD Approved Seismic Restraints System 

Size Range — 3/8" and 1/2" rod; 4" thru 16" length.**

Material — Pre-Galvanized Steel

Function — To offer more secure fastening of various types of beam clamps to beam where danger of movement might be expected. NFPA 13 requires the use of retaining straps with all beam clamps installed in earthquake areas. Satisfies requirements of NFPA 13 (1999) 6-4.7.1.

Features — Beveled locking slot* is precisely formed to align with the threaded section of a hanger rod or set screw and engage the unit securely. May be used as shown in section "A-A" or inverted. Allows easy installation for new construction or retrofit applications.

Important Note — Good installation practice of a retaining strap requires that the strap be held tightly and securely to all component parts of the assembly. Therefore, a locking mechanism of some kind, such as the beveled locking slot of the Fig. 69R or a hex nut tightened against other types of retaining straps will provide a more secure and reliable installation.

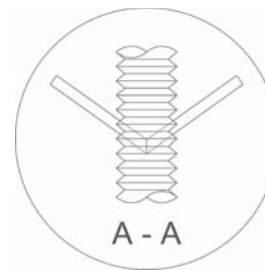
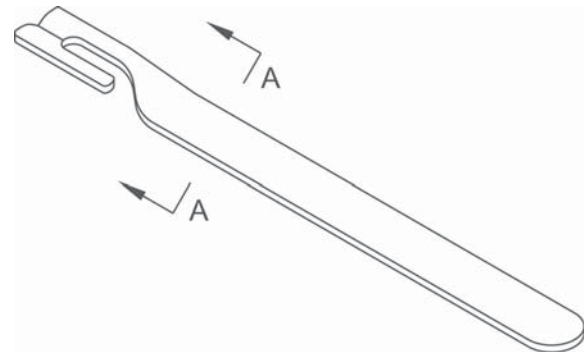
Approvals — Underwriters' Laboratories listed in the USA (**UL**) and Canada (**cUL**). Approved for use with any listed beam clamp. Included in our Seismic Restraints Catalog approved by the State of California Office of Statewide Health Planning and Development (OSHPD). For additional load, spacing and placement information relating to OSHPD projects, please refer to the TOLCO Seismic Restraint Systems Guidelines.

Finish — Pre-Galvanized

Order By — Figure number, rod or set screw size and length

Note — Minimum return on Strap: 1".

* Patent #5,947,424



Dimensions

Rod Size A	Length
3/8"	Specify
1/2"	Specify

