

Fig. 1V - "V" Bottom Clevis Hanger

Size Range — Size 1/2" thru 4" pipe.

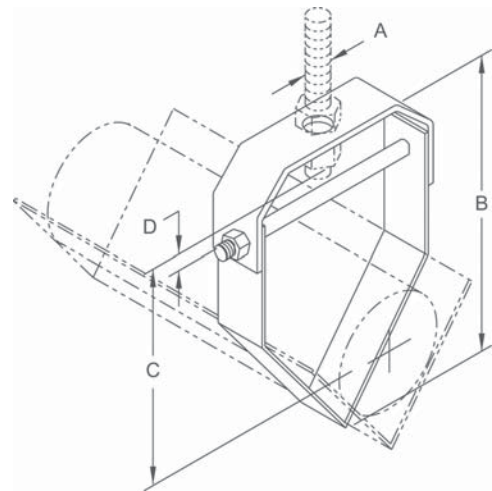
Material — Carbon Steel

Function — Recommended for the suspension of flexible plastic pipe. Use with Fig. 1VT "V" support trough for plastic pipe.

Finish — Plain

Note — Available in Electro-Galvanized and HDG finish or Stainless Steel.

Order By — Figure number, size number and finish



Dimensions • Weights

Size No.	Pipe Size	Rod Size A	B	C	D	Max. Rec. Load Lbs.	Approx. Wt./100
1	1/2	3/8	5½	4¾	1⅝	150	38
1	3/4	3/8	5½	4 ⁹ / ₁₆	1⅝	150	38
1	1	3/8	5½	4 ³ / ₈	1⅝	150	38
1	1¼	3/8	5½	4 ¹ / ₈	1⅝	150	38
1	1½	3/8	5½	4	1⅝	150	38
1	2	3/8	5½	3 ¹¹ / ₁₆	1⅝	150	38
2	2½	1/2	8¾	6 ⁵ / ₈	1¾	150	115
2	3	1/2	8¾	6 ³ / ₁₆	1¾	150	115
2	3½	1/2	8¾	5 ¹³ / ₁₆	1¾	150	115
2	4	1/2	8¾	5 ⁷ / ₁₆	1¾	150	115

Fig. 1VT - "V" Support Trough

Size Range — Size 1/2" thru 4" pipe.

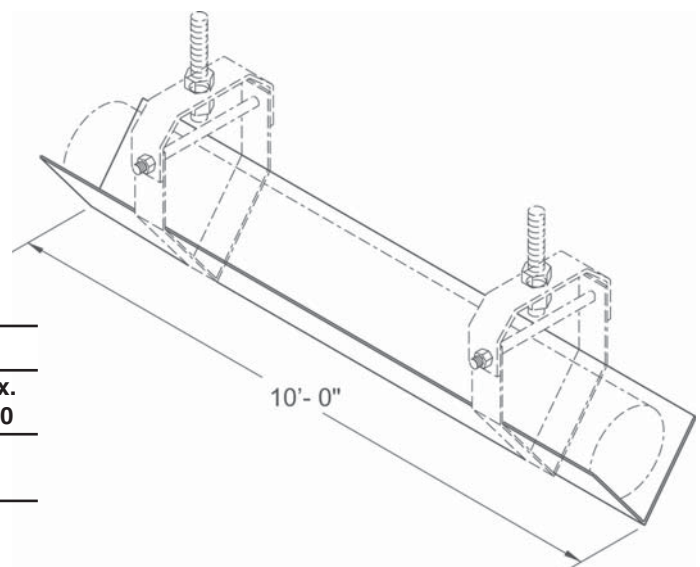
Material — Carbon Steel

Function — Designed for use with Fig. 1V as a support for plastic or other flexible pipe systems.

Finish — Pre-Galvanized

Note — Available in Stainless Steel material.

Order By — Figure number and size number



Dimensions • Weights

Size No.	For Pipe Size	Rod Length	Max. Rec. Load Lbs.	Approx. Wt./100
1*	1/2 - 2	10 ft.	150	540
2**	2½ - 4	10 ft.	150	1080

* Size No. 1 dimensions are 1.5 x 1.5 x 18ga x 10'

** Size No. 2 dimensions are 3 x 3 x 18ga x 10'