

Fig. 107F - Concrete Insert

Size Range — 5/8" thru 1½" rod

Material — Carbon Steel

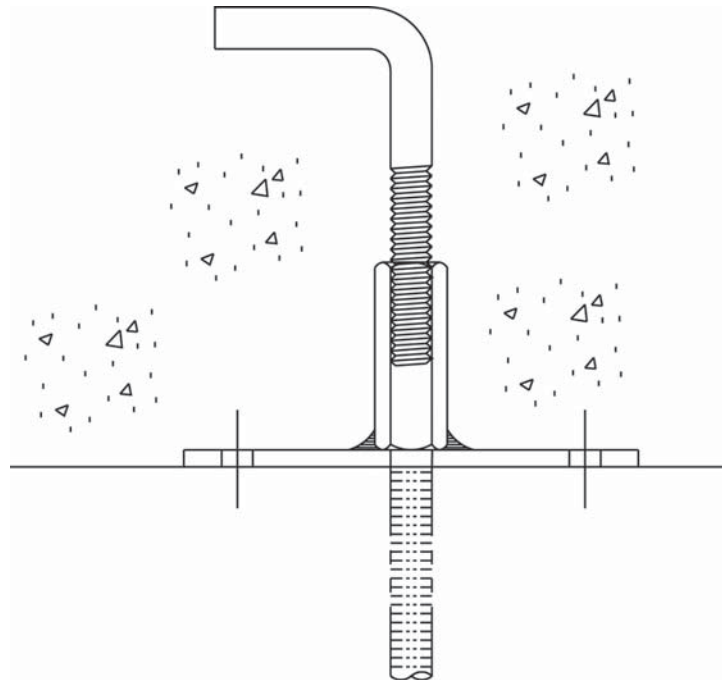
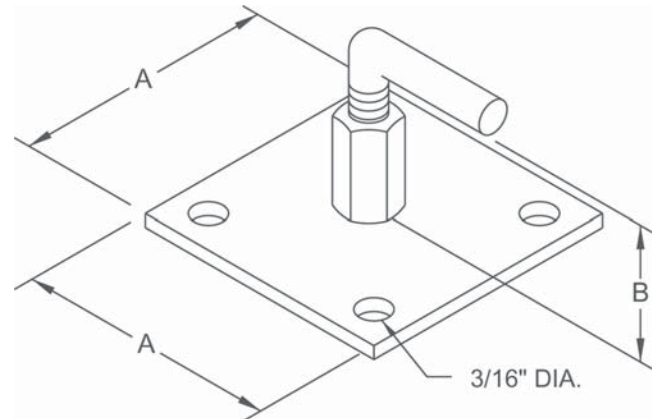
Function — Designed to be embedded in concrete to provide a point of support for 5/8" thru 1½" rod or bolt sizes .

Finish — Plain anchor bolt with Electro-Galvanized coupling.

Note — For rod sizes 3/8" and 1/2", refer to Fig. 109F.

Available in Electro-Galvanized and HDG finish.

Order By — Figure number and rod size



Dimensions

Rod Size	A	B Min. Embed.	Max. Rec. Load Lbs. (In 3000 lb. Hard Rock Concrete)
5/8	3	3½	1810
3/4	3	3½	2710
7/8	3	4	3770
1	3	4	4960

Consult factory for specifications on rod sizes 1½", 1¼" and 1½".