

Fig. 426A - T-Pipe Anchor
Fig. 426AG - T-Pipe Anchor with Gussets
Fig. 426AC - T-Pipe Anchor with Clamps

Size Range — 1" thru 24" pipe

Material — Carbon Steel

Function — Designed to anchor pipe and restrict pipe movement in every direction. The pipe is normally welded directly to the anchor and the anchor chair is either bolted or welded to the supporting steel structure.

Finish — Plain

Note — Available in Electro-Galvanized and HDG finish or Stainless Steel materials.

Order By — Figure number and size

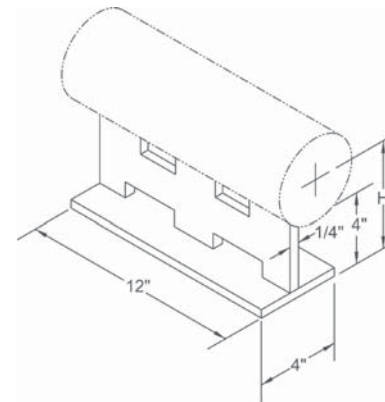


FIG. 426A

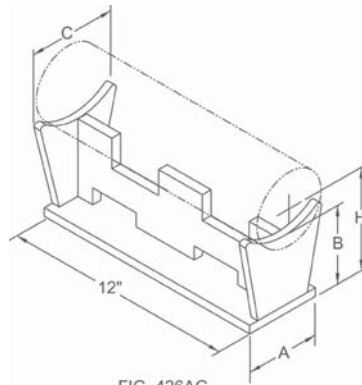


FIG. 426AG

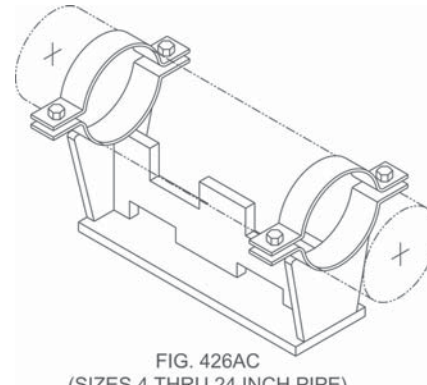

 FIG. 426AC
 (SIZES 4 THRU 24 INCH PIPE)

Fig. 426AG - Pipe Anchor with Gussets
Fig. 426AC - Pipe Anchor with Clamps (4" thru 24")

Pipe Size	A	B	C	H
2	4	4	2½	5⅜
2½	4	4	2⅛	5⅞
3	4	4	3⅜	5¾
3½	4	4	3⅛	6
4	4	4	3½	6¼
5	4	4	3⅝	6⅜
6	4	4	4⅛	7⅜
8	4	4	5⅛	8⅜
10	4	4	6⅜	9⅜
12	4	4	7⅜	10⅜
14	4	4	7⅜	11
16	4	4	8⅜	12
18	7	4	10	13
20	7	4	11	14
24	7	4	13	16

Fig. 426A Pipe Anchor

Size	H	Approx. Wt./100
1	4⅛	600
1¼	4⅜	600
1½	4⅝	600
2	5⅜	600
2½	5⅞	600
3	5¾	600
3½	6	600
4	6¼	600
5	5⅜	600