

Fig. 309 - Concrete Insert

Material — Malleable Iron

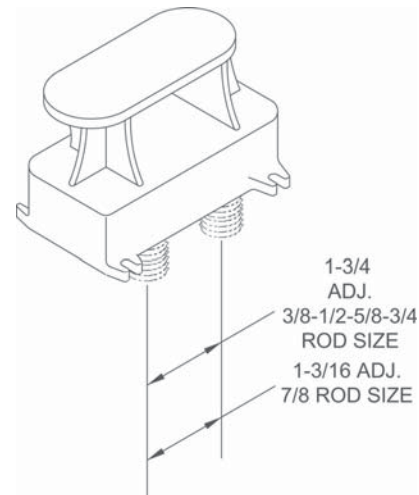
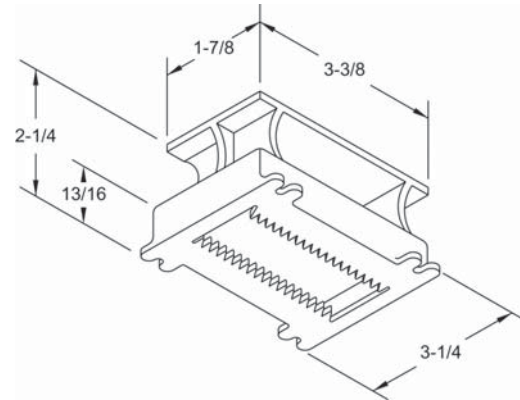
Function — For use in concrete to attach 3/8" thru 7/8" hanger rod.

Note — Other Manufacturers Insert Nuts are not necessarily compatible with TOLCO® Fig. 309 (Concrete Insert). Therefore it is recommended that TOLCO Fig. 309N (Concrete Insert Nuts) be ordered concurrently with Fig. 309.

Approvals — Conforms to Federal Specification WW-H-171E, Type 18 and Manufacturers Standardization Society SP-69, Type 18.

Finish — Plain

Note — Available in Electro-Galvanized finish



Dimensions • Weights

	Rod Size*	Max. Rec. Load Lbs.*	Approx. Wt./100
Insert Only	3/8 - 7/8	1140	130

* See Fig. 309N

† Based on minimum safety factor of 5. Rating is subject to the condition that the concrete used is of sufficient strength to hold the insert.

Fig. 309N - Concrete Insert Nut

Size Range — 3/8" thru 7/8" rod size

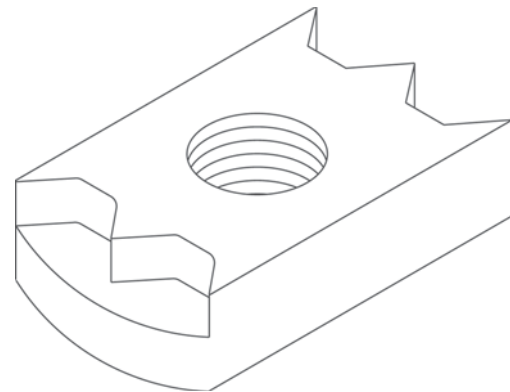
Material — Ductile Iron

Function — For use in Fig. 309 (Concrete Insert).

Note — Other Manufacturers Concrete Inserts are not necessarily compatible with TOLCO Fig. 309N (Concrete Insert Nuts). Therefore it is recommended that TOLCO Fig. 309 be ordered concurrently with Fig. 309N.

Finish — Plain

Note — Available in Electro-Galvanized finish



Dimensions • Weights

Rod Size*	Max. Rec. Load Lbs.*	Approx. Wt./100
3/8	610	20
1/2	1130	21
5/8	1140	20
3/4	1140	22
7/8	1140	21

† Based on minimum safety factor of 5. Rating is subject to the condition that the concrete used is sufficient strength to hold the insert.