

Fig. 81 - Epoxy Copper Tec™ Tubing Clevis Hanger

Fig. 81PVC - PVC Coated Copper Tec™ Tubing Clevis Hanger

Size Range — Size 1/2" thru 6" copper tubing

Material — Carbon Steel

Function — Recommended for the suspension of non-insulated stationary copper tubing line.

Approvals — Conforms to Federal Specification WW-H-171E, Type 12 and Manufacturers Standardization Society SP-69 Type 1.

Finish — Epoxy Copper Tec™ Plated

Note — Available with plastic coating, specify by ordering Fig. 81PVC

Order By — Figure number and nominal tubing size

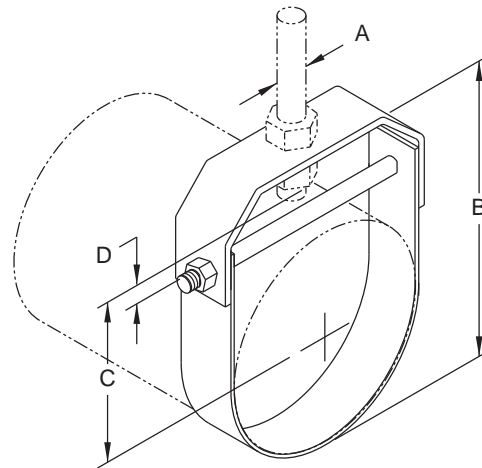


Fig. 81

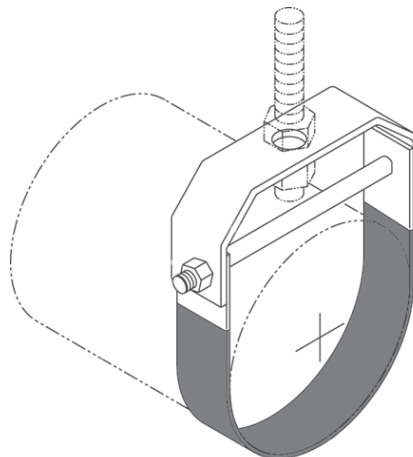


Fig. 81PVC

Dimensions • Weights

Copper Tube Size	A	B	C	D	Max. Rec. Load Lbs.	Approx. Wt./100
1/2	3/8	2 ⁵ / ₈	1 ¹¹ / ₁₆	5/8	150	27
3/4	3/8	2 ⁵ / ₈	1 ¹¹ / ₁₆	5/8	250	29
1	3/8	2 ⁷ / ₈	1 ¹³ / ₁₆	3/4	250	32
1 1/4	3/8	3	1 ⁷ / ₈	13/16	250	34
1 1/2	3/8	3 ⁵ / ₈	2 ⁵ / ₁₆	1 ¹ / ₁₆	250	36
2	3/8	4 ¹ / ₂	3	1 ⁵ / ₈	250	44
2 1/2	1/2	6	3 ¹ / ₄	2 ¹ / ₈	350	96
3	1/2	6 ¹ / ₈	3 ⁷ / ₈	2	350	105
3 1/2	1/2	6 ⁵ / ₈	4 ¹ / ₄	1 ¹³ / ₁₆	350	110
4	1/2	7 ¹ / ₁₆	4 ³ / ₈	1 ⁹ / ₁₆	400	151
5	1/2	8 ¹ / ₂	5 ⁵ / ₁₆	1 ⁷ / ₈	550	220
6	5/8	9 ³ / ₄	5 ⁹ / ₁₆	1 ¹¹ / ₁₆	550	265