

Fig. 107 - Anchor Bolt

Size Range — 3/8" thru 1½" rod

Material — Carbon Steel

Function — Embedded in concrete for fastening of pipe support, structural steel or other apparatus to surface .

Maximum Temperature — 750°F

Finish — Plain

Note — Available in Electro-Galvanized and HDG finish or Stainless Steel materials.

Order By — Figure number, rod size, length and finish

Dimensions		
Rod Size	A	B
3/8	2	2½
1/2	2	2½
5/8	2½	2½
3/4	2¾	2½
7/8	3	2½
1	3½	3
1½	4	3½
1¼	4½	4
1½	5¼	4

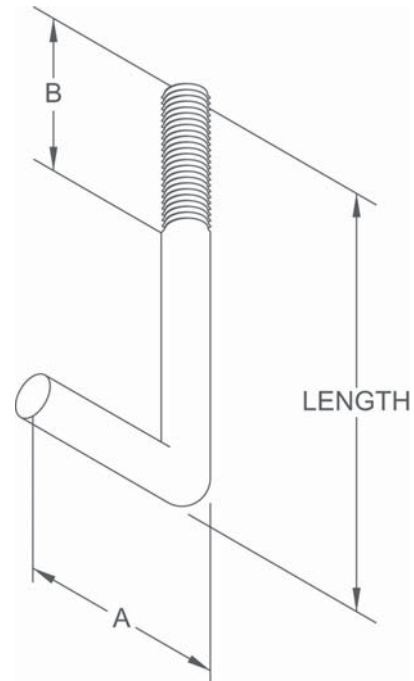


Fig. 108 - L-Rod Thread Both Ends

Size Range — 3/8" thru 7/8" rod

Material — Carbon Steel

Function — Recommended for bolting through structure with short end, using long end as Hanger Rod.

Finish — Plain

Note — Available in Electro-Galvanized and HDG finish or Stainless Steel materials.

Order By — Figure number, rod size, length, width of bend and finish

Dimensions			
Rod Size	Length	Thread Length	
		Short End	Long End
3/8 - 7/8	4" - 8"	1½	1½
3/8 - 7/8	8" and up	1½	2½

