

## Fig. 406 - Anchor Base Plate

**Size Range** — 2" thru 30" pipe

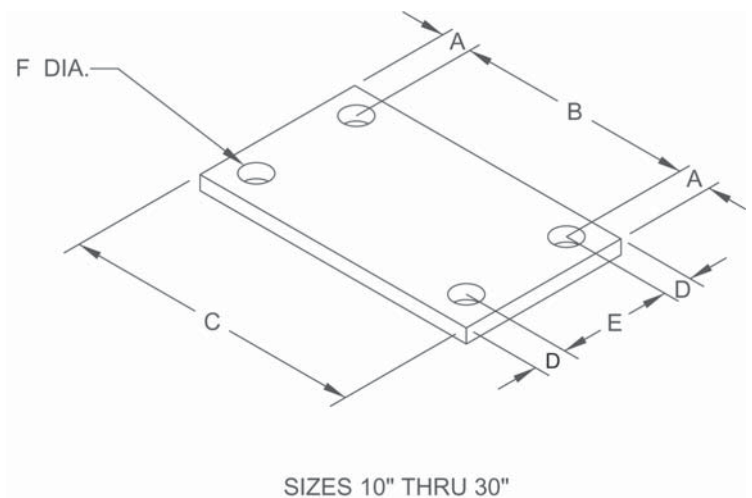
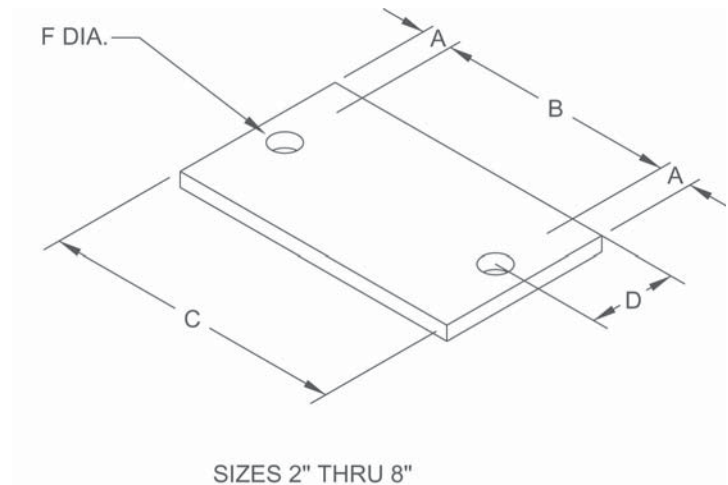
**Material** — Carbon Steel

**Function** — To provide a smooth and even bearing surface on which to place pipe. Can also be used to locate and set anchor bolts.

**Finish** — Plain

**Note** — Available in Electro-Galvanized and HDG finish or Stainless Steel materials

**Order By** — Figure number, pipe size and finish.



### Dimensions • Weights

Pipe Size	A	B	C	D	E	Hole Size F	Approx. Wt./100
2	1 $\frac{1}{8}$	5 $\frac{3}{8}$	7 $\frac{5}{8}$	1 $\frac{1}{2}$	—	7/8	230
2 $\frac{1}{2}$	1 $\frac{1}{8}$	5 $\frac{7}{8}$	8 $\frac{1}{8}$	1 $\frac{1}{2}$	—	7/8	246
3	1 $\frac{1}{8}$	6 $\frac{1}{2}$	8 $\frac{3}{4}$	1 $\frac{1}{2}$	—	7/8	266
3 $\frac{1}{2}$	1 $\frac{1}{8}$	7	9 $\frac{1}{4}$	1 $\frac{1}{2}$	—	7/8	281
4	1 $\frac{1}{8}$	7 $\frac{1}{2}$	9 $\frac{3}{4}$	1 $\frac{1}{2}$	—	7/8	297
5	1 $\frac{1}{8}$	8 $\frac{9}{16}$	10 $\frac{13}{16}$	1 $\frac{1}{2}$	—	7/8	331
6	1 $\frac{1}{2}$	10 $\frac{5}{8}$	13 $\frac{5}{8}$	3	—	1	1131
8	1 $\frac{1}{2}$	12 $\frac{5}{8}$	15 $\frac{5}{8}$	3	—	1	1300
10	1 $\frac{3}{4}$	15 $\frac{1}{4}$	18 $\frac{3}{4}$	1 $\frac{1}{2}$	5	1 $\frac{1}{8}$	2059
12	1 $\frac{3}{4}$	17 $\frac{1}{4}$	20 $\frac{3}{4}$	1 $\frac{1}{2}$	5	1 $\frac{1}{8}$	2285
14	1 $\frac{3}{4}$	18 $\frac{1}{2}$	22	2	6	1 $\frac{1}{8}$	3046
16	1 $\frac{3}{4}$	20 $\frac{1}{2}$	24	2	6	1 $\frac{1}{8}$	3328
18	1 $\frac{3}{4}$	22 $\frac{1}{2}$	26	2 $\frac{1}{2}$	7	1 $\frac{1}{8}$	4343
20	1 $\frac{3}{4}$	24 $\frac{1}{2}$	28	2 $\frac{1}{2}$	7	1 $\frac{1}{8}$	4682
24	1 $\frac{3}{4}$	28 $\frac{1}{2}$	32	2 $\frac{1}{2}$	7	1 $\frac{1}{8}$	5358
30	1 $\frac{3}{4}$	34 $\frac{1}{2}$	38	2 $\frac{1}{2}$	7	1 $\frac{1}{8}$	6374