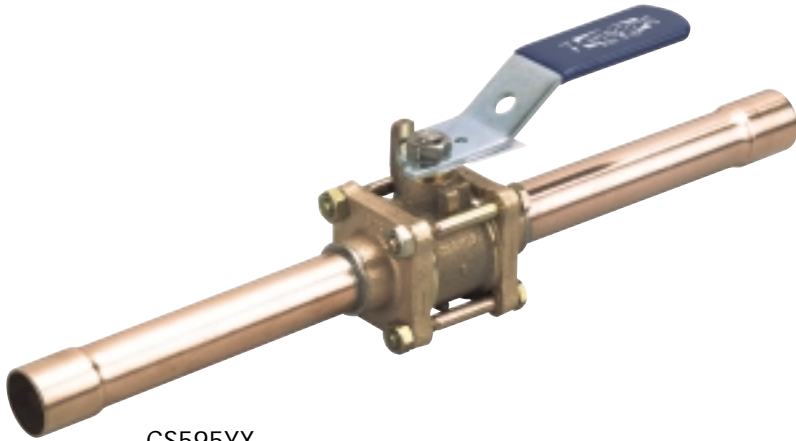


# CS595YX CS595YX-66

Three-piece, Full Port, 600 psi CWP Bronze Ball Valve for utility and medical gas service applications. Cast bronze body and end pieces, blow out proof silicon bronze stem. 6" straight or expanded copper stub ends are standard.



CS595YX  
CS595YX-66 (316SS Trim)

### Design Features:

- Full port for high flow coefficient
- Dezincification resistant silicon bronze or 316SS stem
- 6" extended copper ends (straight or expanded)
- Three-piece design for inline maintenance and repair
- 1/2" – 2"

### Specifications:

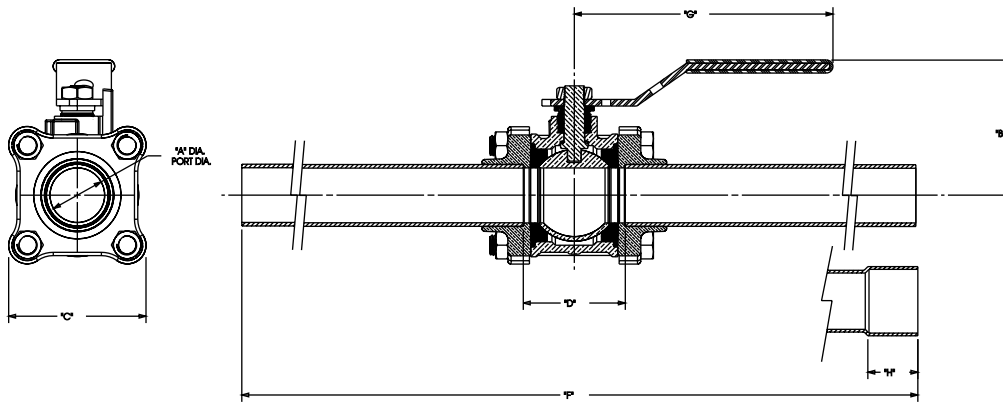
- MSS SP-110
- ANSI B16.18 (solder end)
- Straight ends—Type K copper
- Expanded ends—Type L copper

### Applications:

- Medical gas systems
- Compressed air
- Vacuum service
- Solder or brazed installations
- Process requiring inline maintenance

### Options:

- 316SS ball & stem
- Locking lever



### Dimensions in inches

Size	Dim. A	Dim. B	Dim. C	Dim. D	Dim. F	Dim. G	Dim. H
1/2	.50	1.64	1.81	1.11	13.11	3.91	.50
3/4	.75	2.00	1.97	1.41	13.41	4.66	.75
1	1.00	2.19	2.50	1.81	13.81	4.66	.91
1 1/4	1.25	2.69	2.69	1.96	13.96	6.69	.97
1 1/2	1.50	2.95	3.00	2.39	14.39	6.69	.109
2	2.00	3.27	4.00	3.04	15.04	6.69	1.34

