

585-70

Two-Piece, Full Port, 600psi CWP Bronze Ball Valve for general purpose or utility service applications. Cast bronze body and end piece, blowout proof silicon bronze stem. Threaded ends are standard. Solder ends designed to be soft soldered using conventional soldering techniques. See installation instructions packaged with valve.



T585-70

S585-70

Design Features:

- Full port for high flow coefficient
- Dezincification resistant silicon bronze stem
- Adjustable packing
- Metal to metal end-piece to body seal
- 1/4" – 2"

Specifications:

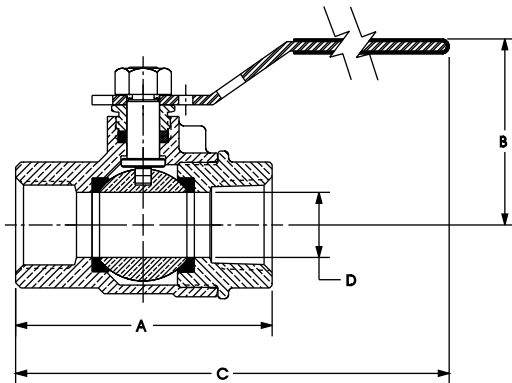
- MSS SP-110
- ANSI B1.20.1 (threaded end)
- ANSI B16.18 (solder end)

Applications:

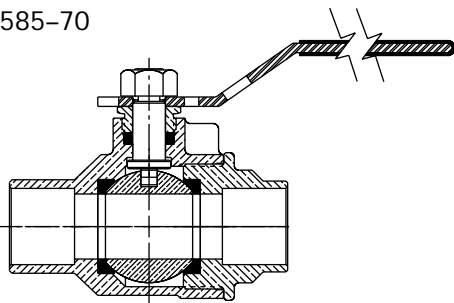
- Hot and cold water
- HVAC
- Fire sprinkler (trim and drain)
- Compressed air
- Vacuum service

Options:

- Memory stop
- Nib-Seal® insulated handle
- Locking lever
- Round handle



T585-70



S585-70

Dimensions in inches

Size	Dim. A		Dim. B		Dim. C		Dim. D	
	NPT	C x C	NPT	C x C	NPT	C x C	NPT	C x C
1/4	2.00	1.75	1.75	1.75	5.00	4.75	0.38	0.38
3/8	2.00	1.84	1.75	1.75	5.00	4.81	0.38	0.38
1/2	2.44	2.56	1.88	1.88	5.19	5.25	0.50	0.50
3/4	2.94	3.25	2.25	2.25	6.25	6.25	0.75	0.75
1	3.34	3.75	2.38	2.38	6.44	6.63	1.00	1.00
1 1/4	4.19	5.06	3.00	3.00	6.75	7.19	1.25	1.25
1 1/2	4.72	5.94	3.16	3.16	9.06	9.69	1.50	1.50
2	5.16	6.72	3.50	3.50	9.25	10.06	2.00	2.00

Dimensions in millimeters

Size	Dim. A		Dim. B		Dim. C		Dim. D	
	NPT	C x C	NPT	C x C	NPT	C x C	NPT	C x C
10	50.8	44.4	44.4	44.4	127.0	120.6	9.7	9.7
12	50.8	46.7	44.4	44.4	127.0	122.2	9.7	9.7
15	62.0	65.0	47.8	47.8	131.8	133.3	12.7	12.7
20	74.7	82.5	57.1	57.1	158.8	158.8	19.0	19.0
25	84.8	95.3	60.5	60.5	163.6	168.4	25.4	25.4
32	106.4	128.5	76.2	76.2	171.4	182.6	31.8	31.8
40	119.9	150.9	80.3	80.3	230.1	246.1	38.1	38.1
50	131.1	170.7	88.9	88.9	234.9	255.5	50.8	50.8

