

Fig. 1U - "Ultra" Clevis Hanger

 PATENT
 PENDING

Size Range — Size 1/2" thru 4" pipe.

Material — Carbon Steel, Mil. Galvanized to G90.

Function — Recommended for the suspension of piping systems.

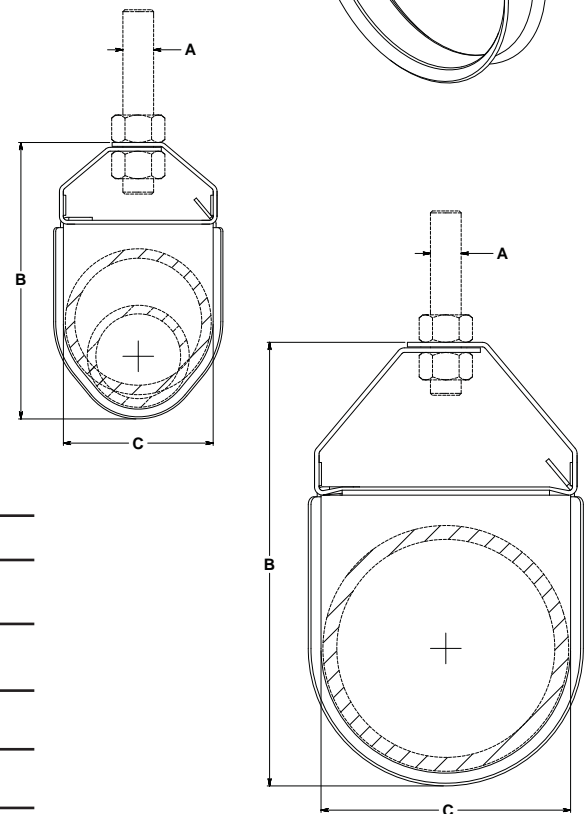
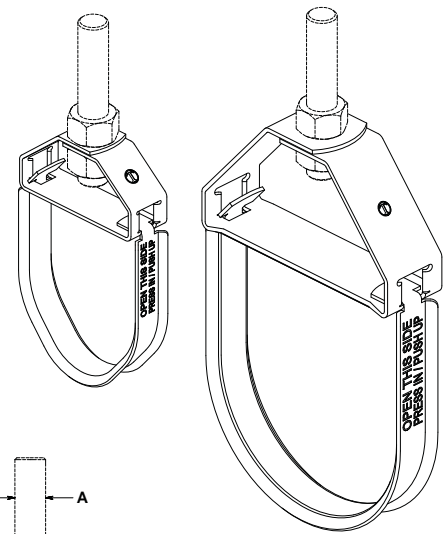
Features —

- Fast, easy, snap open and closed installation
- Strong lightweight design
- Flared edges ease installation for all pipe types and protect CPVC plastic pipe from abrasion
- Clevis bottom locks in place to prevent swinging

Approvals — Conforms to Manufacturers Standardization Society SP-58, Type1.

Maximum Temperature — 650°F

Finish — Mil. Galvanized

Order By — Figure number and pipe size


Dimensions • Weights

Pipe Size	Rod Size A	B	C	Max. Rec. Load Lbs.	Approx. Wt./100
1/2 thru 1	3/8	3 ¹ / ₁₆	1 ¹ / ₁₆	200	8
1 ¹ / ₄ thru 2	3/8	4 ¹ / ₂	2 ⁷ / ₈	250	18
2 ¹ / ₂	1/2	5 ³ / ₈	2 ¹⁵ / ₁₆	350	36
3	1/2	6 ³ / ₁₆	3 ³ / ₁₆	350	44
3 ¹ / ₂	1/2	7 ¹ / ₄	4 ¹ / ₁₆	350	50
4	1/2	7 ⁵ / ₈	4 ⁹ / ₁₆	400	55

Load Comparison Chart

Pipe Size	Max. Spacing per MSS	Sch. 40 Wt./Ft.	Sch. 80 Wt./Ft.	Water Wt./Ft. Sch. 40	Water Wt./Ft. Sch. 80	Sch. 40 Total Supported Load	Sch. 80 Total Supported Load	Fig. 1U Load Rating w/Safety Factor 3.5
1/2	7	0.85	1.09	0.13	0.10	6.87	8.32	200
3/4	7	1.13	1.47	0.23	0.19	9.52	11.61	200
1	7	1.68	2.17	0.37	0.31	14.36	17.37	200
1-1/4	7	2.27	3.00	0.65	0.56	20.43	24.86	250
1-1/2	9	2.72	3.63	0.88	0.77	32.39	39.56	250
2	10	3.65	5.02	1.45	1.28	51.04	63.01	250
2-1/2	11	5.79	7.66	2.07	1.83	86.48	104.43	350
3	12	7.57	10.25	3.20	2.86	129.24	157.32	350
3-1/2	13	9.11	12.51	4.28	3.85	174.07	212.68	350
4	14	10.79	14.98	5.51	4.98	228.20	279.44	400