

Maximum Pipe Size:	
3"	Inside diameter
3-3/4"	Outside diameter

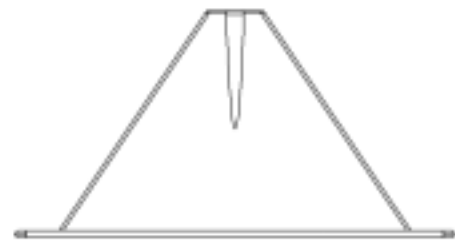
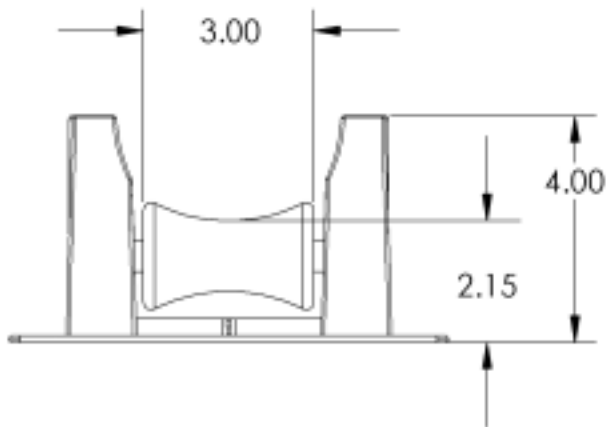
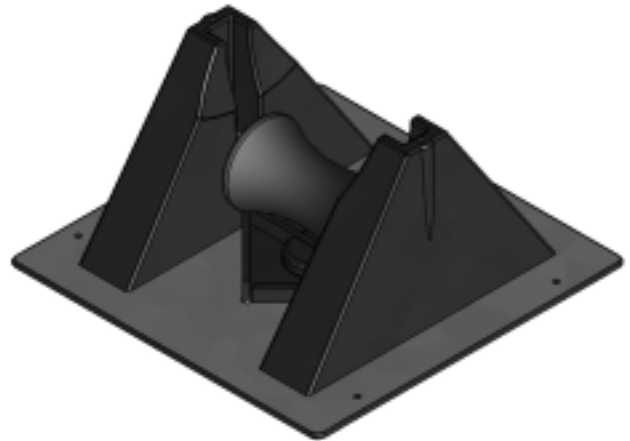
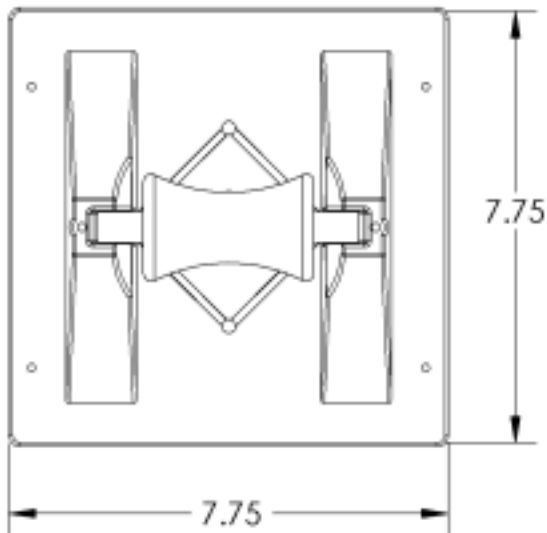
Specification and Data Sheet

MODEL NO. 3-R-2 and 3-R-4

1. **Product Name:** PILLOW BLOCK PIPESTAND MODEL NO. 3-R **NOTE:** Pillowblock pipestand model numbers correspond to usual pipe names. Pipe that is called "three inch" or 3" pipe has a 3" inside diameter and a larger outside diameter. Model 3-R-2 and 3-R-4 will hold all usual and customary 3" and smaller pipe sizes, referring to the inside diameter. The maximum outside dimension of the pipe or conduit the Model 3-R-2 and 3-R-4 will hold is 3-3/4" diameter.
2. **Manufacturer:** MIRO INDUSTRIES, INC., 2700 South 900 West, Salt Lake City, Utah 84119 Phone (800) 768-6978
Fax (800) 440-7958
3. **Product Description:** A "roller-bearing" pipe support used to support roof mounted gas pipes, electrical conduit, solar piping and other mechanical piping. Unique design absorbs thermal expansion and contraction of pipes thus preventing damage to the roof membrane. Pipes rest on a polycarbonate resin roller and a polycarbonate rod situated in a polycarbonate resin seat. Each pipestand will accommodate up to 3-3/4" outside diameter pipes.
4. **Product Performance:** The "U" shaped roller serves to keep the pipestand roller system directly beneath the pipe without binding. It also allows for some lateral expansion of the pipe system. Guide holes are provided at the top of the cradle for any desired installation of a MIRO Pipe Strap using 1/2" #8 screws to prevent separation of the pipe from the support. The base is gently rounded to prevent gouging the roof membrane and increased elevations may be achieved by stacking the 3-R-2 and 3-R-4 on one or two spacers, each with a height of 2".
5. **Compatibility:** Pillow Block Pipestands are recommended and are compatible for use with all current types of decking and with all commonly used built-up and single-ply roofing membranes where roof-mounted pipes occur.
6. **Load Weight:** Maximum load weight may not exceed 100 lbs. per pipestand.
7. **Composition and Materials:** A one-piece roof deck base, a roller housing support composed of rigid polycarbonate resin with carbon black added for UV resistance and protection, and a roller made of polycarbonate resin which rests on a polycarbonate rod of 9/16" diameter.
8. **Size:** The Pillow Block Pipestand Model 3-R-2 and 3-R-4 have a deck base of 7.75" square, the top of the cradle is 4" high, and the maximum width of the interior of the cradle is 3.875". Rod and pipes supported on the 3-R-2 pipestand will have a clearance of 2.15". Rod and pipes supported on the 3-R-4 pipestand will have a clearance of 4". Each 3-R spacer increases the clearance of the pipe by 2".
9. **Installation:** To install the pillow block pipestands, (1) center the pipestand beneath the pipe so that the cradle allows the pipe to be squarely over and through the cradle of the pipestand. (2) Set the pipe in the pipestand without dropping or causing undue impact. If desired, an additional sheet of roofing material, a MIRO Support Pad, or a MIRO Deck Plate can be installed beneath the pipestand. For built-up roofs, all loose aggregate from an area 12" square should be removed from the area directly beneath the pipestand and then follow the installation directions set forth above.

OPTIONAL METHOD OF INSTALLATION (Not recommended): Where code requires or as desired, the pipestands may be attached to the roof by appropriate and compatible rooftop fasteners through holes provided in the bottom of the pipestand pitchpan.

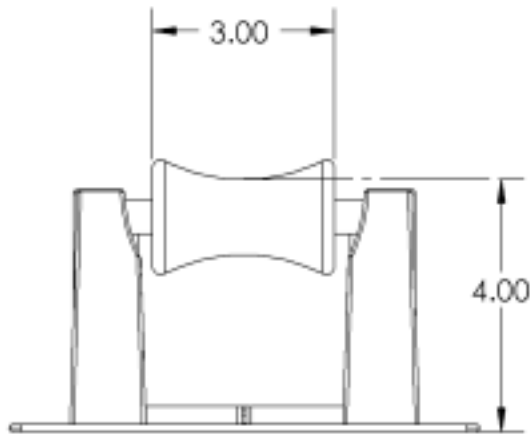
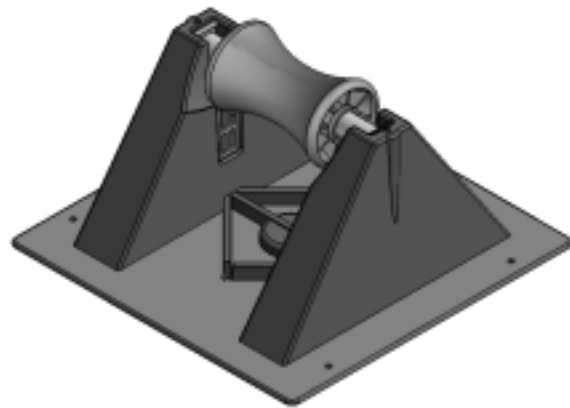
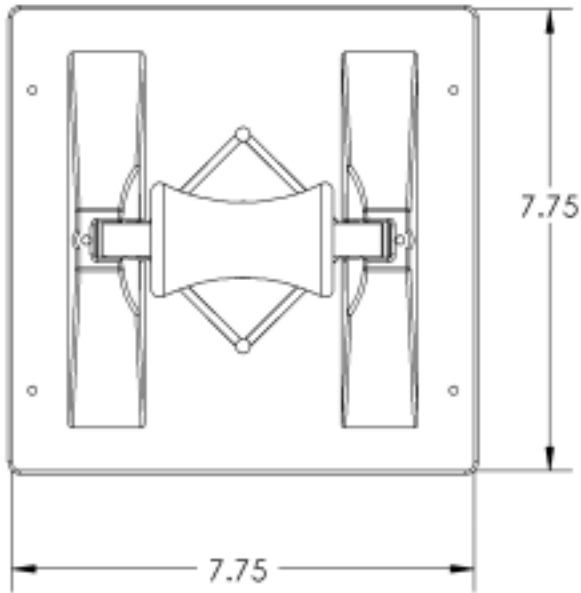
In addition, the pipe may be secured to the pipestand by using a MIRO Pipe Strap and #8 stainless steel screws in the guideholes at the top of each pipestand. Note: allow sufficient room between the pipe and the strap to provide for free movement of the pipe without binding.
10. **Spacing:** Manufacturer's recommended spacing is not to exceed 10 feet centers depending upon the load. Make certain each pipestand is properly elevated to even load weight at all pipestands.
11. **Availability:** Pillow Block Pipestands are marketed throughout the United States through representatives and distributors.
12. **Maintenance:** Normally maintenance is not required. Semi-annual inspection is required to check pipestand position and set pipe alignment, weight distribution, and improper installation which may cause pipestand damage or failure.
13. **Technical Services:** Please call MIRO INDUSTRIES, INC.: (800) 768-6978.
www.miroind.com for technical information and for graphic and for CAD drawing downloads.



This document, attachments, and all of the information therein are the property of MIRO Industries, Inc. The information contained is loaned, subject to return upon demand, and is not to be used directly or indirectly in any way detrimental to our interest. Further, the information contained therein shall not be used, in whole or in part, except when allowed by written authorization from MIRO Industries, Inc.

Copyright MIRO Industries, Inc. 2003.

3-R-2 Pipe Support



This document, attachments, and all of the information therein are the property of MIRO Industries, Inc. The information contained is loaned, subject to return upon demand, and is not to be used directly or indirectly in any way detrimental to our interest. Further, the information contained therein shall not be used, in whole or in part, except when allowed by written authorization from MIRO Industries, Inc.

Copyright MIRO Industries, Inc. 2003.

3-R-4 Pipe Support