



## Gas Cock Ball Valve



### Description

1/4-turn, hot forged brass, 2-piece design, standard port, economical, appliance type gas ball valves. 100% tested in U.S.A.

### Features

- Yellow lockable lever handle
- Pressure rating: 175G
- Temp range: -20°F to 300°F
- Gland follower and single O-ring stem design
- NPT connections

### Approvals

- CSA certified up to 125 PSIG
- UL listed MHKZ, YRPV

### Lockable Handle Operation

The butterfly handle is reversible in the closed position by removing the allen wrench screw and reversing the handle 180° into the slot, which locks the handle in the close position.

### Warranty

The Company, for a period of one year from the date of shipment, warrants each product or system of its own manufacture to the original purchaser to be free from defects in material and workmanship under normal use, service and maintenance.



T-2005C

#### Architect/Engineer approval

Job Name \_\_\_\_\_ Date \_\_\_\_\_  
Model Specified \_\_\_\_\_ Quantity \_\_\_\_\_  
Variations Specified \_\_\_\_\_  
Customer/Wholesaler \_\_\_\_\_  
Contractor \_\_\_\_\_  
Architect \_\_\_\_\_

Note: Information subject to change without notice.



Jomar International Ltd.  
7243 Miller Drive  
Warren, MI 48092  
Phone: 800-325-5690  
Fax: 800-628-4194  
www.jomar.com

## Gas Cock Ball Valve



### Description

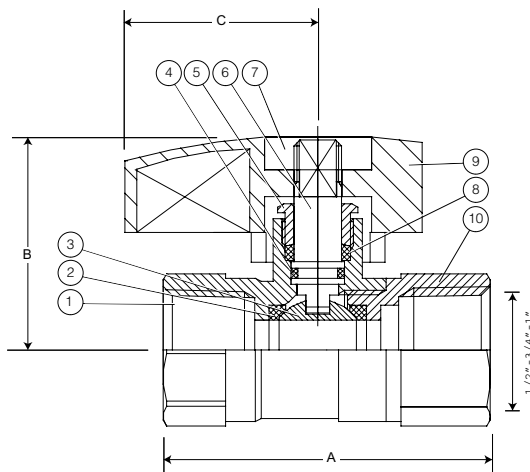
1/4-turn, hot forged brass, 2-piece design, standard port, economical, appliance type gas ball valves. 100% tested.

### Dimensions in Inches

Computer No.	Valve Size	A	B	C
102-603	1/2"	2.17	1.34	1.18
102-604	3/4"	2.34	1.48	1.18
102-605	1"	2.88	1.69	1.54

### Material Specification

No.	Part Name	Materials
1	Body	Forged Brass ASTM C37700
2	Seat (2)	Teflon®
3	Chrome Plated Ball	Forged Brass ASTM C37700
4	Stem O-Ring	Viton®
5	Packing Nut	Forged Brass ASTM C37700
6	Stem	Forged Brass ASTM C37700
7	Handle Nut	Chrome Plated Steel
8	Stem Packing	Teflon®
9	Handle	Chrome Plated Steel
10	End-Piece	Forged Brass ASTM C37700



Note: Information subject to change without notice.