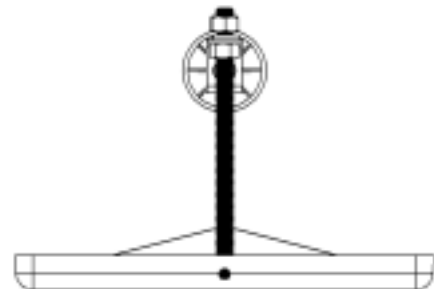
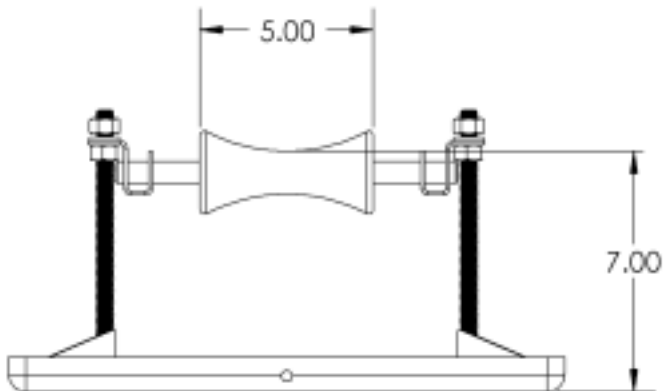
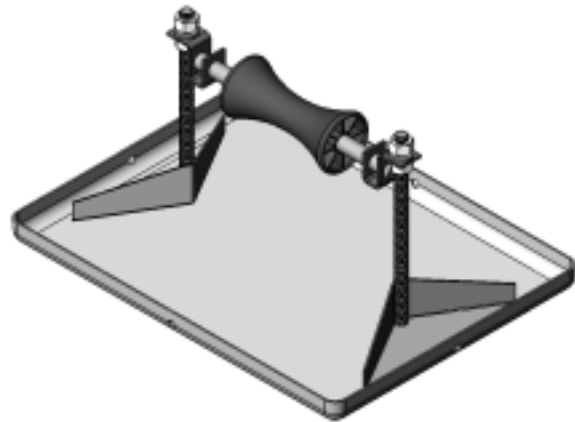
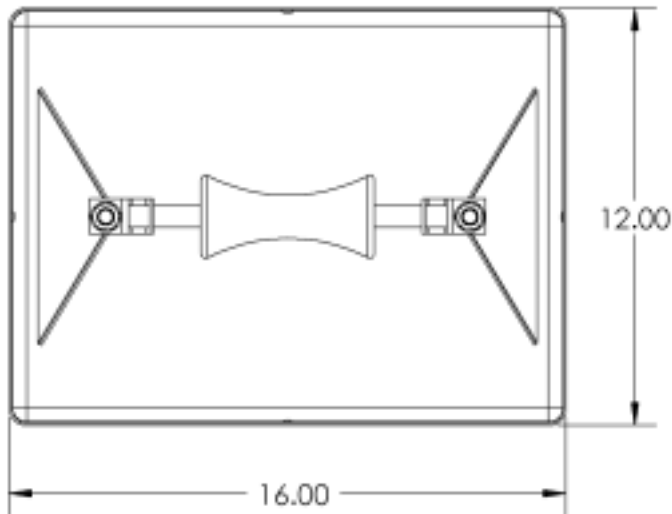


Maximum Pipe Size:	
6"	Inside diameter
8-1/2"	Outside diameter

Specification and Data Sheet

MODEL NO. 6-RAH-7 (SS or HDG)

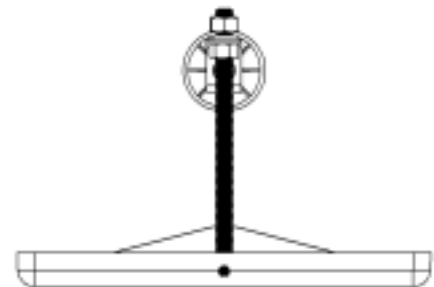
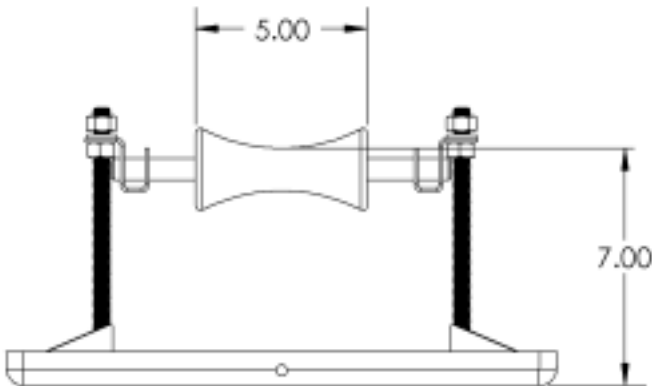
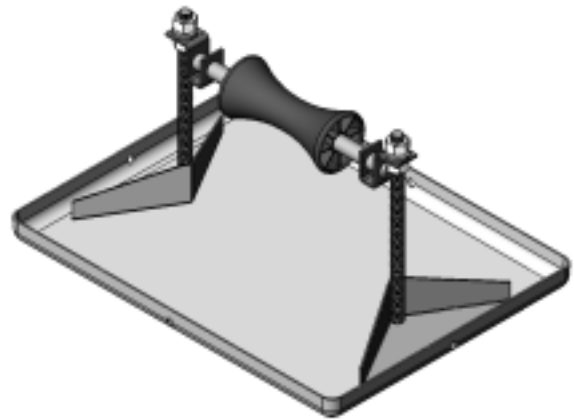
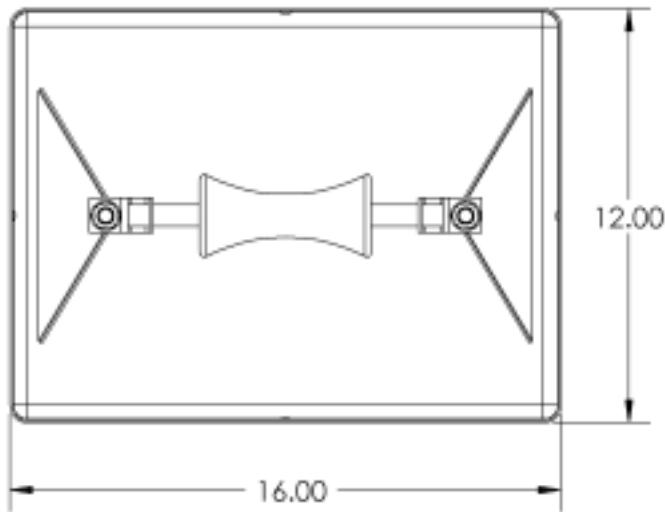
1. **Product Name:** PILLOW BLOCK PIPESTAND MODEL NO. 6-RAH-7 (SS or HDG). **NOTE:** Pillowblock pipestands are given model numbers which correspond to usual pipe names. Pipe that is called "six-inch" or 6" pipe has a 6" inside diameter and a larger outside diameter. Model 6-RAH-7 (SS or HDG). will hold all usual and customary 6" and smaller pipe sizes, referring to the inside diameter. The maximum outside dimension of the pipe or conduit the model 6-RAH-7 (SS or HDG) will hold is 8-1/2" diameter.
 2. **Manufacturer:** MIRO INDUSTRIES, INC., 2700 South 900 West, Salt Lake City, Utah 84119 Phone (800) 768-6978
Fax (800) 440-7958
 3. **Product Description:** A "roller-bearing" pipe support used to support roof mounted gas pipes, electrical conduit, solar piping and other mechanical piping. Unique design absorbs thermal expansion and contraction of pipes thus preventing damage to the roof membrane. Pipes rest on a self-lubricating roller which is made of a stainless steel rod and a polycarbonate resin roller. The pipe support base is made of stainless steel or hot-dip galvanized steel and all other metal parts are made of stainless steel. Pipestand will accommodate up to a 6" inside diameter pipe or up to 8-1/2" outside diameter pipes.
 4. **Product Performance:** The "U" shaped cradle serves to keep the pipestand roller system directly beneath the pipe without binding and allows for some lateral expansion of the piping system. The base is gently rounded to prevent gouging with edges raised 1". Drainage ports are provided to prevent ponding within the device.
 5. **Compatibility:** Pillow Block Pipestands are recommended for use on and compatible with all current types of decking and with all commonly used built-up and single-ply roofing membranes where roof-mounted pipes occur.
 6. **Load Weight:** Maximum load weight not to exceed 150 lbs. per pipestand.
 7. **Composition and Materials:** The pipestand consists of two major components: (1) A one-piece stainless or hot-dip galvanized steel roof deck base, pipe support and adjustable roller housing, and (2) A rod made of stainless steel and polycarbonate roller which rests upon the adjustable height roller housing. Carbon black is added to the polycarbonate resin for UV resistance and protection.
 8. **Size:** The Pillow Block Pipe Stand Model 6-RAH-7 (SS or HDG) is made in one standard size. The deck base is 12" x 16", has a maximum cradle width of 8-1/2", and can adjust in height from a low of 3.5" to a high of 7" from bottom of pipe support.
 9. **Installation:** (1) Center the pipestand beneath the pipe so that the cradle allows the pipe to be squarely over and through the roller of the pipestand. (2) Adjust the pipestand to the desired height and even load with other pipestands. Make certain the roller and horizontal rod is level. (3) Set the pipe in the pipestand without dropping or causing undue impact. If desired, an additional sheet of roofing material, a MIRO Support Pad, or a MIRO Deck Plate can be installed beneath the pipestand. For built up roofs, all loose aggregate from an area 20" square should be removed from the area directly beneath the pipestand and then follow the installation directions set forth above. Care should be taken to install each pipestand so it supports a proportional and equal amount of weight at each pipestand.
- OPTIONAL METHOD OF INSTALLATION (Not Recommended): Where code requires or as desired, the pipestands may be attached to the roof by appropriate and compatible rooftop fasteners through holes then drilled in the bottom of the pipestand pitchpan at the time of installation.
10. **Spacing:** Manufacturer's recommended spacing is not to exceed 10 foot centers depending upon the load. Do not exceed 150 lbs. load weight and make certain each pipestand is adjusted in height to even load at all pipestands.
 11. **Availability:** Pillow Block Pipestands are marketed throughout the United States through representatives and distributors.
 12. **Maintenance:** Normally maintenance is not required. Semi-annual inspection is required to check pipestand position and set pipe alignment, weight distribution and improper installation which may cause pipestand damage or failure.
 13. **Technical Services:** Please call MIRO INDUSTRIES, INC.: (800) 768-6978.
www.miroind.com for technical information and for graphic and for Cad drawing downloads.



This document, attachments, and all of the information therein are the property of MIRO Industries, Inc. The information contained is loaned, subject to return upon demand, and is not to be used directly or indirectly in any way detrimental to our interest. Further, the information contained therein shall not be used, in whole or in part, except when allowed by written authorization from MIRO Industries, Inc.

Copyright MIRO Industries, Inc. 2003.

6-RAH-7 SS



This document, attachments, and all of the information therein are the property of MIRO Industries, Inc. The information contained is loaned, subject to return upon demand, and is not to be used directly or indirectly in any way detrimental to our interest. Further, the information contained therein shall not be used, in whole or in part, except when allowed by written authorization from MIRO Industries, Inc.

Copyright MIRO Industries, Inc. 2003.

6-RAH-7 HDG